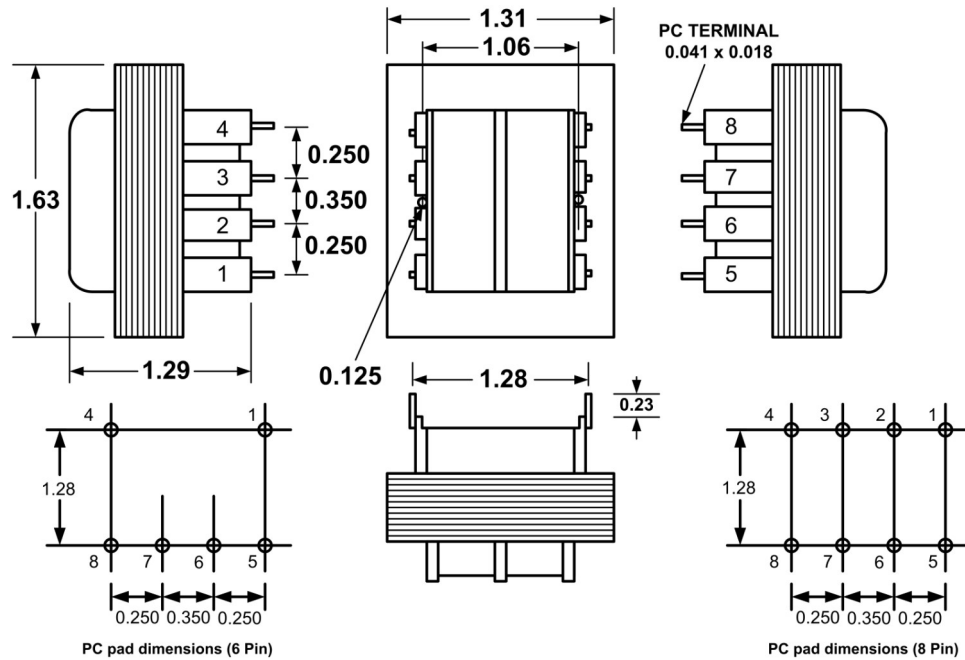


# PSH & PDH - PRINTED CIRCUIT MOUNT, HORIZONTAL, STANDARD PROFILE POWER TRANSFORMER



## 1. Electrical Specifications

- A. Maximum Power: 6VA
- B. Input Voltage and Frequency: 115/230V, 115V @ 50/60Hz
- C. Voltage Regulation: 18% TYP @ Full Load to No Load
- D. Temperature Rise: 35°C TYP
- E. Insulation Resistance: > 1 MEG ohm
- F. Hi-Pot: 2500 Vrms 1 minute @ Pri to Sec  
1500 Vrms 1 minute @ Pri to Core  
1500 Vrms 1 minute @ Sec to Core

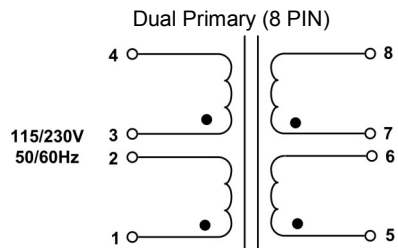
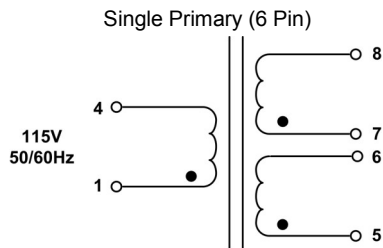
2. Marking: Wabash Transformer, part number (see table), date code, terminal numbers

3. Safety:  
UL/cUL 5085-2 Recognized (File E182486)  
Insulation File No. E182094



PC pad dimensions (6 Pin)

PC pad dimensions (8 Pin)



• Indicates Like Polarity

Part No.			
115V	115/230V	Series Connection	Parallel Connection
PSH-06-10	PDH-06-10	10VCT @ 600mA	5V @ 1.2A
PSH-06-126	PDH-06-126	12.6VCT @ 480mA	6.3V @ 960mA
PSH-06-16	PDH-06-16	16VCT @ 380mA	8V @ 0.75A
PSH-06-20	PDH-06-20	20VCT @ 0.30A	10V @ 0.60A
PSH-06-24	PDH-06-24	24VCT @ 0.25A	12V @ 0.50A
PSH-06-28	PDH-06-28	28VCT @ 0.21A	14V @ 0.42A
PSH-06-36	PDH-06-36	36VCT @ 0.167A	18V @ 0.33A
PSH-06-48	PDH-06-48	48VCT @ 0.125A	24V @ 0.25A
PSH-06-56	PDH-06-56	56VCT @ 0.107A	28V @ 0.214A
PSH-06-120	PDH-06-120	120VCT @ 0.05A	60V @ 0.10A

	<b>POWER TRANSFORMER</b>	<b>PSH-06-XXX PDH-06-XXX</b>	
CONTENTS OF THIS DRAWING ARE SUBJECT TO CHANGE WITHOUT PRIOR NOTICE	<b>Wabash Transformer</b> 101 Industrial Park Drive, Clarence, IA 52216	Dim: Inches	Sheet 1 of 1

PROPRIETARY NOTICE: THIS DRAWING PRINT OR DOCUMENT AND SUBJECT MATTER DISCLOSED HEREIN ARE PROPRIETARY ITEMS TO WHICH WABASH TRANSFORMER RETAINS THE EXCLUSIVE RIGHT OF DISSEMINATION, MANUFACTURE AND SALE. THIS DRAWING, PRINT OR DOCUMENT IS SUBMITTED IN CONFIDENCE FOR CONSIDERATION BY THE RECIPIENT ALONE UNLESS PERMISSION FOR FURTHER DISCLOSURE IS EXPRESSLY GRANTED IN WRITING