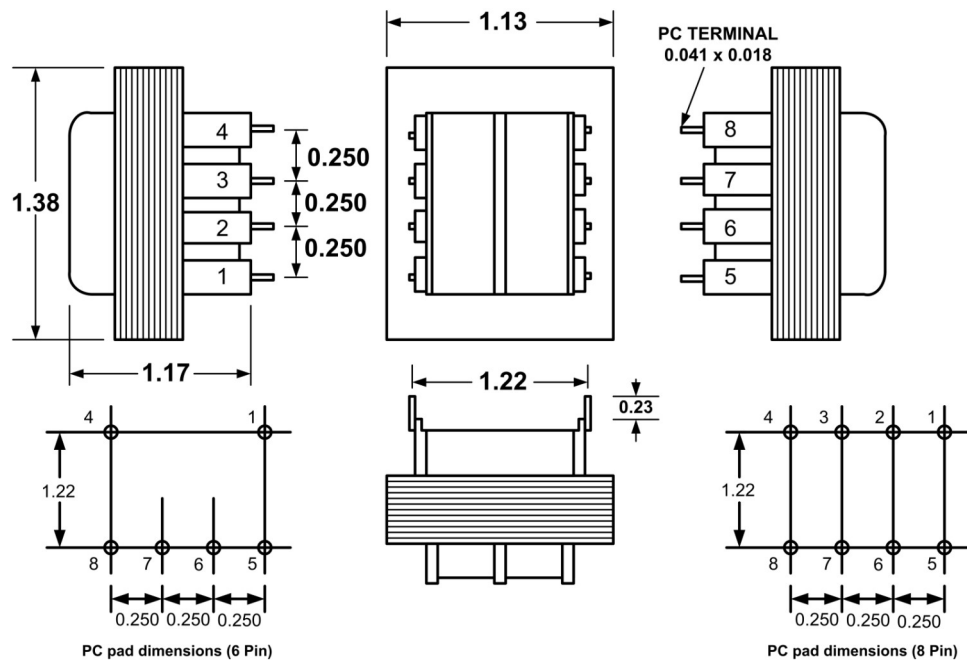


PSH & PDH - PRINTED CIRCUIT MOUNT, HORIZONTAL, STANDARD PROFILE POWER TRANSFORMER



1. Electrical Specifications

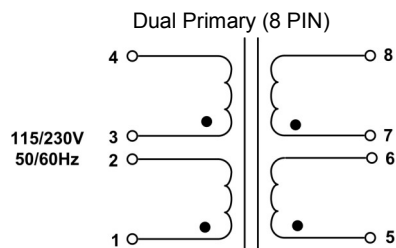
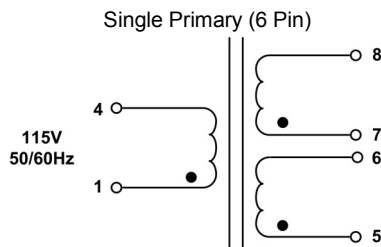
- A. Maximum Power: 2.4VA
- B. Input Voltage and Frequency: 115/230V, 115V @ 50/60Hz
- C. Voltage Regulation: 24% TYP @ Full Load to No Load
- D. Temperature Rise: 35°C TYP
- E. Insulation Resistance: > 1 MEG ohm
- F. Hi-Pot: 2500 Vrms 1 minute @ Pri to Sec
1500 Vrms 1 minute @ Pri to Core
1500 Vrms 1 minute @ Sec to Core

2. Marking: Wabash Transformer, part number (see table), date code, terminal numbers

3. Safety:

UL/cUL 5085-2 Recognized (File E182486)

UL 1446 Recognized Insulation System (File E95662)



• Indicates Like Polarity

Part No.			
115V	115/230V	Series Connection	Parallel Connection
PSH-24-10	PDH-24-10	10VCT @ 0.24A	5V @ 0.48A
PSH-24-126	PDH-24-126	12.6VCT @ 0.19A	6.3V @ 0.38A
PSH-24-16	PDH-24-16	16VCT @ 0.15A	8V @ 0.30A
PSH-24-20	PDH-24-20	20VCT @ 0.12A	10V @ 0.24A
PSH-24-24	PDH-24-24	24VCT @ 0.10A	12V @ 0.20A
PSH-24-28	PDH-24-28	28VCT @ 0.085A	14V @ 0.17A
PSH-24-36	PDH-24-36	36VCT @ 0.066A	18V @ 0.13A
PSH-24-48	PDH-24-48	48VCT @ 0.05A	24V @ 0.10A
PSH-24-56	PDH-24-56	56VCT @ 0.043A	28V @ 0.086A
PSH-24-120	PDH-24-120	120VCT @ 0.02A	60V @ 0.04A

	POWER TRANSFORMER		PSH-24-XXX PDH-24-XXX	
	Wabash Transformer 101 Industrial Park Drive, Clarence, IA 52216		Dim: Inches	Sheet 1 of 1

PROPRIETARY NOTICE: THIS DRAWING PRINT OR DOCUMENT AND SUBJECT MATTER DISCLOSED HEREIN ARE PROPRIETARY ITEMS TO WHICH WABASH TRANSFORMER RETAINS THE EXCLUSIVE RIGHT OF DISSEMINATION, MANUFACTURE AND SALE. THIS DRAWING, PRINT OR DOCUMENT IS SUBMITTED IN CONFIDENCE FOR CONSIDERATION BY THE RECIPIENT ALONE UNLESS PERMISSION FOR FURTHER DISCLOSURE IS EXPRESSLY GRANTED IN WRITING