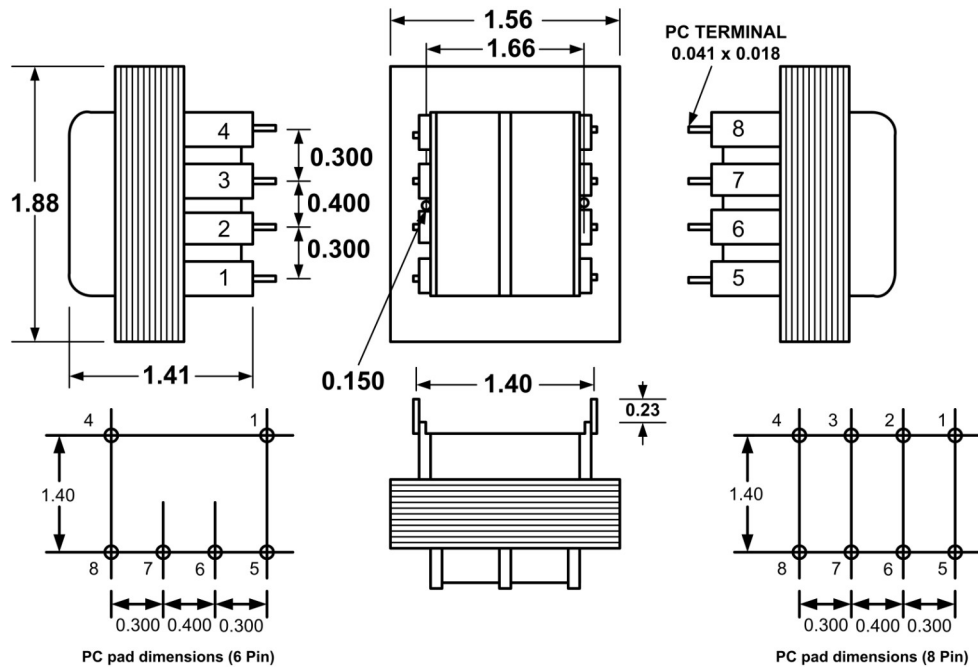


# PSH & PDH - PRINTED CIRCUIT MOUNT, HORIZONTAL, STANDARD PROFILE POWER TRANSFORMER



## 1. Electrical Specifications

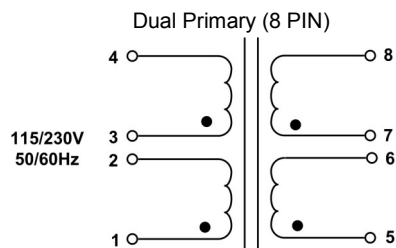
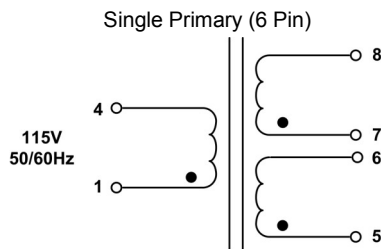
- A. Maximum Power: 12VA
- B. Input Voltage and Frequency: 115/230V, 115V @ 50/60Hz
- C. Voltage Regulation: 19% TYP @ Full Load to No Load
- D. Temperature Rise: 45°C TYP
- E. Insulation Resistance: >1 MEG ohm
- F. Hi-Pot: 2500 Vrms 1 minute @ Pri to Sec  
1500 Vrms 1 minute @ Pri to Core  
1500 Vrms 1 minute @ Sec to Core

2. Marking: Wabash Transformer, part number (see table), date code, terminal numbers

## 3. Safety:

UL/cUL 5085-2 Recognized (File E182486)

UL 1446 Recognized Insulation System (File E95662)



• Indicates Like Polarity

Part No.			
115V	115/230V	Series Connection	Parallel Connection
PSH-12-10	PDH-12-10	10VCT @ 1.2A	5V @ 2.4A
PSH-12-126	PDH-12-126	12.6VCT @ 950mA	6.3V @ 1.90A
PSH-12-16	PDH-12-16	16VCT @ 750mA	8V @ 1.5A
PSH-12-20	PDH-12-20	20VCT @ 600mA	10V @ 1.2A
PSH-12-24	PDH-12-24	24VCT @ 500mA	12V @ 1.0A
PSH-12-28	PDH-12-28	28VCT @ 420mA	14V @ 840mA
PSH-12-36	PDH-12-36	36VCT @ 330mA	18V @ 660mA
PSH-12-48	PDH-12-48	48VCT @ 250mA	24V @ 500mA
PSH-12-56	PDH-12-56	56VCT @ 214mA	28V @ 428mA
PSH-12-120	PDH-12-120	120VCT @ 100mA	60V @ 200mA

	<b>POWER TRANSFORMER</b>		<b>PSH-12-XXX PDH-12-XXX</b>	
	CONTENTS OF THIS DRAWING ARE SUBJECT TO CHANGE WITHOUT PRIOR NOTICE		<b>Wabash Transformer</b> 101 Industrial Park Drive, Clarence, IA 52216	Dim: Inches

PROPRIETARY NOTICE: THIS DRAWING PRINT OR DOCUMENT AND SUBJECT MATTER DISCLOSED HEREIN ARE PROPRIETARY ITEMS TO WHICH WABASH TRANSFORMER RETAINS THE EXCLUSIVE RIGHT OF DISSEMINATION, MANUFACTURE AND SALE. THIS DRAWING, PRINT OR DOCUMENT IS SUBMITTED IN CONFIDENCE FOR CONSIDERATION BY THE RECIPIENT ALONE UNLESS PERMISSION FOR FURTHER DISCLOSURE IS EXPRESSLY GRANTED IN WRITING