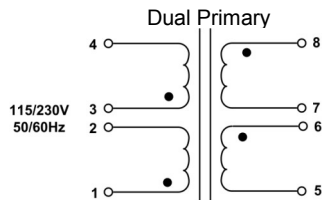
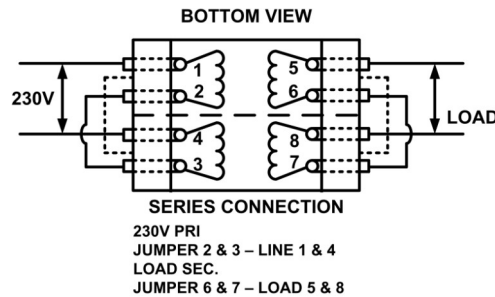
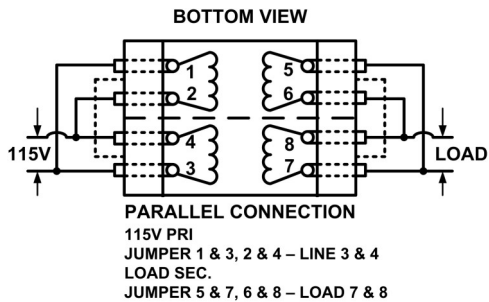
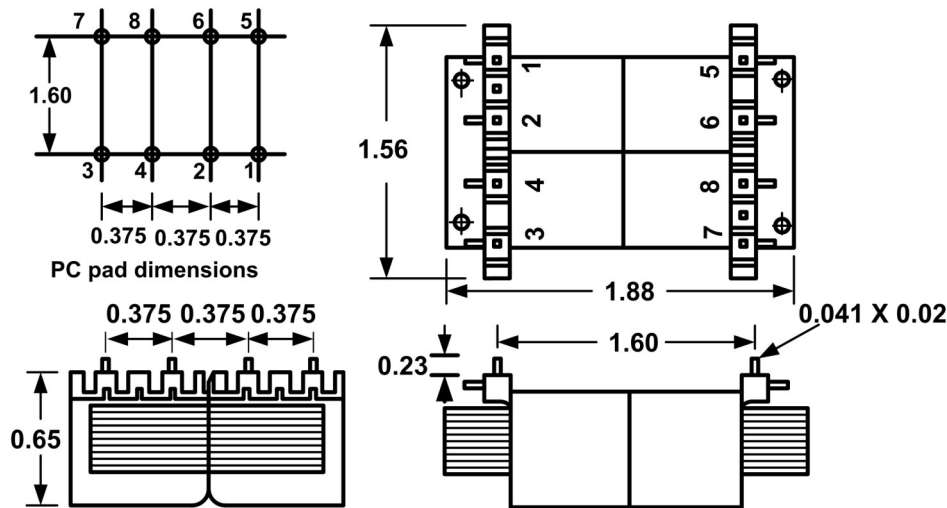


# UI - PRINTED CIRCUIT MOUNT, LOW PROFILE POWER TRANSFORMER



• Indicates Like Polarity

## 1. Electrical Specifications

- A. Maximum Power: 2.5VA
- B. Input Voltage and Frequency: 115/230V @ 50/60Hz
- C. Voltage Regulation: 35% TYP @ Full Load to No Load
- D. Temperature Rise: 25°C TYP
- E. Insulation Resistance: < 1 MEG ohm
- F. Hi-Pot: 2500 Vrms 1 minute @ Pri to Sec  
2500 Vrms 1 minute @ Pri to Core  
1500 Vrms 1 minute @ Sec to Core

2. Marking: Wabash Transformer, part number (see table), date code, terminal numbers

3. Safety:

UL/cUL 5085-2 Recognized (File E182486)

UL 1446 Recognized Insulation System (File E95662)



Part No.	Series Connection	Parallel Connection
115/230V		
UI-25-10	10VCT @ 250mA	5V @ 500mA
UI-25-126	12.6VCT @ 198mA	6.3V @ 396mA
UI-25-16	16VCT @ 156mA	8V @ 312mA
UI-25-20	20VCT @ 125mA	10V @ 250mA
UI-25-24	24VCT @ 104mA	12V @ 208mA
UI-25-30	30VCT @ 83mA	15V @ 166mA
UI-25-34	34VCT @ 74mA	17V @ 147mA
UI-25-40	40VCT @ 63mA	20V @ 125mA
UI-25-56	56VCT @ 45mA	28V @ 90mA
UI-25-88	88VCT @ 28mA	44V @ 57mA
UI-25-120	120VCT @ 21mA	60V @ 42mA
UI-25-230	230VCT @ 11mA	115V @ 22mA

 CONTENTS OF THIS DRAWING ARE SUBJECT TO CHANGE WITHOUT PRIOR NOTICE	<b>POWER TRANSFORMER</b>		<b>UI-25-XXX</b>	
	<b>Wabash Transformer</b> 101 Industrial Park Drive, Clarence, IA 52216		Dim: Inches	Sheet 1 of 1
PROPRIETARY NOTICE: THIS DRAWING PRINT OR DOCUMENT AND SUBJECT MATTER DISCLOSED HEREIN ARE PROPRIETARY ITEMS TO WHICH WABASH TRANSFORMER RETAINS THE EXCLUSIVE RIGHT OF DISSEMINATION, MANUFACTURE AND SALE. THIS DRAWING, PRINT OR DOCUMENT IS SUBMITTED IN CONFIDENCE FOR CONSIDERATION BY THE RECIPIENT ALONE UNLESS PERMISSION FOR FURTHER DISCLOSURE IS EXPRESSLY GRANTED IN WRITING				