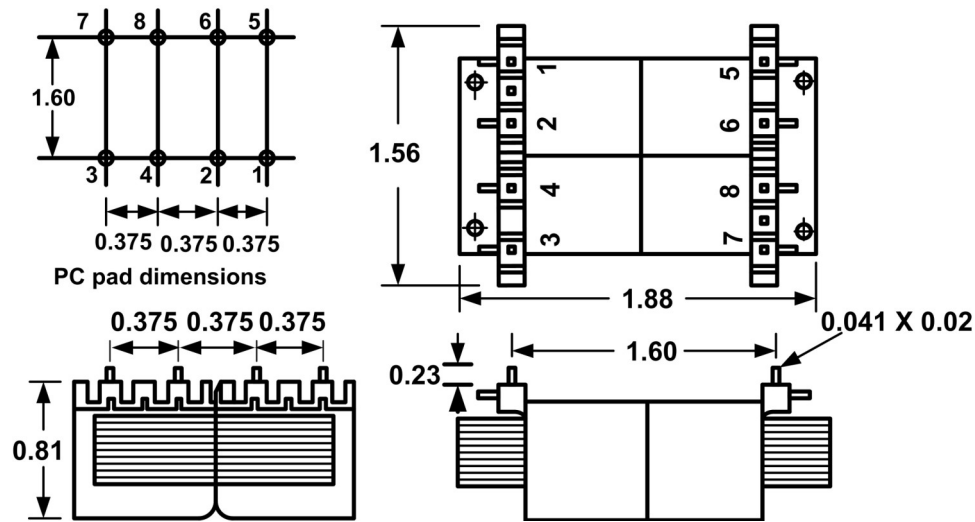


# UI - PRINTED CIRCUIT MOUNT, LOW PROFILE POWER TRANSFORMER

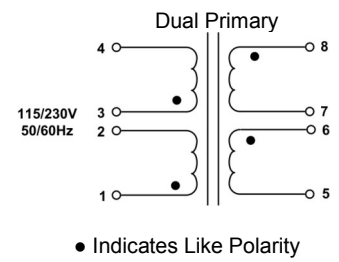
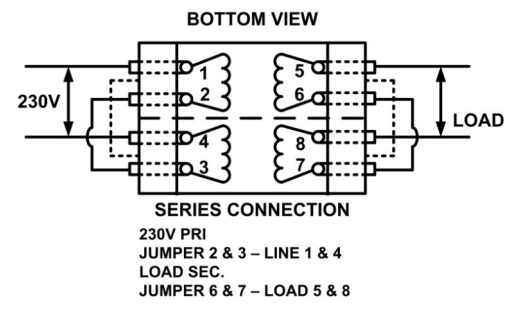
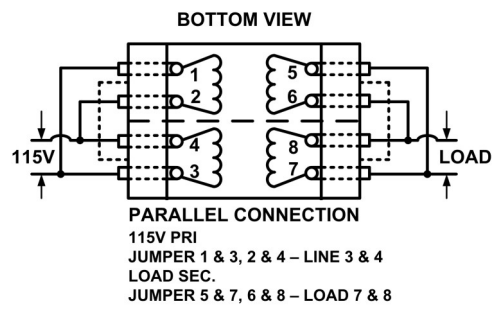


## 1. Electrical Specifications

- A. Maximum Power: 6VA
- B. Input Voltage and Frequency: 115/230V @ 50/60Hz
- C. Voltage Regulation: 35% TYP @ Full Load to No Load
- D. Temperature Rise: 45°C TYP
- E. Insulation Resistance: < 1 MEG ohm
- F. Hi-Pot: 2500 Vrms 1 minute @ Pri to Sec  
2500 Vrms 1 minute @ Pri to Core  
1500 Vrms 1 minute @ Sec to Core

2. Marking: Wabash Transformer, part number (see table), date code, terminal numbers

3. Safety:  
**UL/cUL 5085-2 Recognized (File E182486)**  
**UL1446 Recognized Insulation System (File E95662)**



Part No.	Series Connection	Parallel Connection
115/230V		
UI-06-10	10VCT @ 600mA	5V @ 1.2A
UI-06-126	12.6VCT @ 476mA	6.3V @ 952mA
UI-06-16	16VCT @ 375mA	8V @ 750mA
UI-06-20	20VCT @ 300mA	10V @ 600mA
UI-06-24	24VCT @ 250mA	12V @ 500mA
UI-06-30	30VCT @ 200mA	15V @ 400mA
UI-06-34	34VCT @ 176mA	17V @ 352mA
UI-06-40	40VCT @ 150mA	20V @ 300mA
UI-06-56	56VCT @ 107mA	28V @ 214mA
UI-06-88	88VCT @ 68mA	44V @ 136mA
UI-06-120	120VCT @ 50mA	60V @ 100mA
UI-06-230	230VCT @ 26mA	115V @ 52mA

	<b>POWER TRANSFORMER</b>	<b>UI-06-XXX</b>	
	CONTENTS OF THIS DRAWING ARE SUBJECT TO CHANGE WITHOUT PRIOR NOTICE  <b>Wabash Transformer</b> 101 Industrial Park Drive, Clarence, IA 52216	Dim: Inches	Sheet 1 of 1

PROPRIETARY NOTICE: THIS DRAWING PRINT OR DOCUMENT AND SUBJECT MATTER DISCLOSED HEREIN ARE PROPRIETARY ITEMS TO WHICH WABASH TRANSFORMER RETAINS THE EXCLUSIVE RIGHT OF DISSEMINATION, MANUFACTURE AND SALE. THIS DRAWING, PRINT OR DOCUMENT IS SUBMITTED IN CONFIDENCE FOR CONSIDERATION BY THE RECIPIENT ALONE UNLESS PERMISSION FOR FURTHER DISCLOSURE IS EXPRESSLY GRANTED IN WRITING