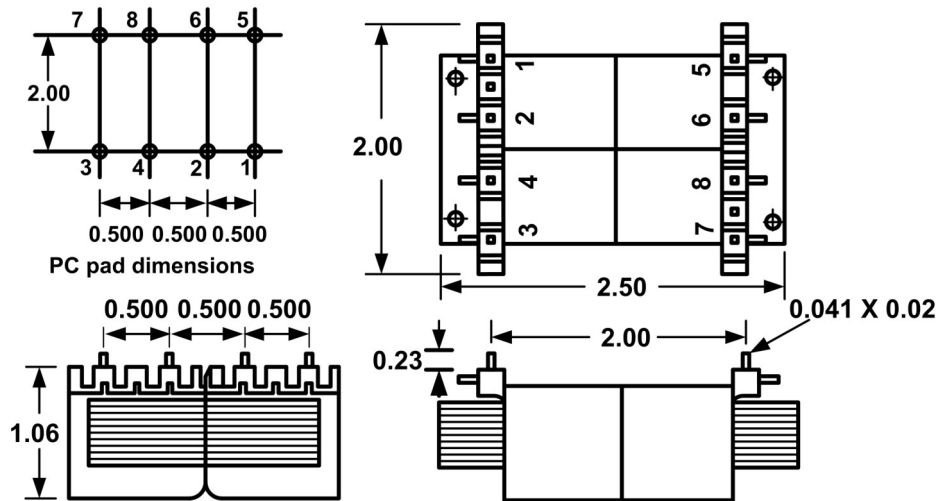


UI - PRINTED CIRCUIT MOUNT, LOW PROFILE POWER TRANSFORMER



1. Electrical Specifications

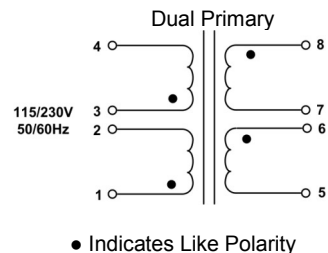
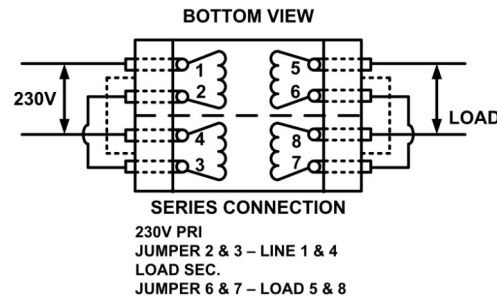
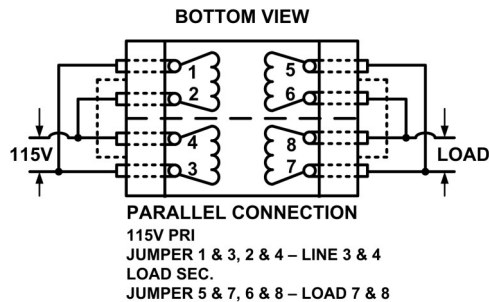
- A. Maximum Power: 12VA
- B. Input Voltage and Frequency: 115/230V @ 50/60Hz
- C. Voltage Regulation: 20% TYP @ Full Load to No Load
- D. Temperature Rise: 35°C TYP
- E. Insulation Resistance: < 1 MEG ohm
- F. Hi-Pot: 2500 Vrms 1 minute @ Pri to Sec
2500 Vrms 1 minute @ Pri to Core
1500 Vrms 1 minute @ Sec to Core

2. Marking: Wabash Transformer, part number (see table), date code, terminal numbers

3. Safety:

UL/cUL 5085-2 Recognized (File E182486)

UL1446 Recognized Insulation System (File E95662)



Part No.	Series Connection	Parallel Connection
115/230V		
UI-12-10	10VCT @ 1.20A	5V @ 2.40A
UI-12-126	12.6VCT @ 952mA	6.3V @ 1.90A
UI-12-16	16VCT @ 750mA	8V @ 1.50A
UI-12-20	20VCT @ 600mA	10V @ 1.20A
UI-12-24	24VCT @ 500mA	12V @ 1.00A
UI-12-30	30VCT @ 400mA	15V @ 800mA
UI-12-34	34VCT @ 353mA	17V @ 706mA
UI-12-40	40VCT @ 300mA	20V @ 600mA
UI-12-56	56VCT @ 214mA	28V @ 428mA
UI-12-88	88VCT @ 136mA	44V @ 273mA
UI-12-120	120VCT @ 100mA	60V @ 200mA
UI-12-230	230VCT @ 52mA	115V @ 104mA

	POWER TRANSFORMER	UI-12-XXX	
	CONTENTS OF THIS DRAWING ARE SUBJECT TO CHANGE WITHOUT PRIOR NOTICE Wabash Transformer 101 Industrial Park Drive, Clarence, IA 52216	Dim: Inches	Sheet 1 of 1
PROPRIETARY NOTICE: THIS DRAWING PRINT OR DOCUMENT AND SUBJECT MATTER DISCLOSED HEREIN ARE PROPRIETARY ITEMS TO WHICH WABASH TRANSFORMER RETAINS THE EXCLUSIVE RIGHT OF DISSEMINATION, MANUFACTURE AND SALE. THIS DRAWING, PRINT OR DOCUMENT IS SUBMITTED IN CONFIDENCE FOR CONSIDERATION BY THE RECIPIENT ALONE UNLESS PERMISSION FOR FURTHER DISCLOSURE IS EXPRESSLY GRANTED IN WRITING			