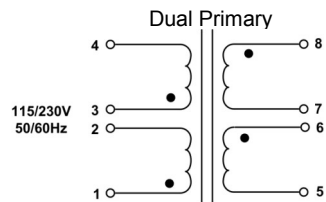
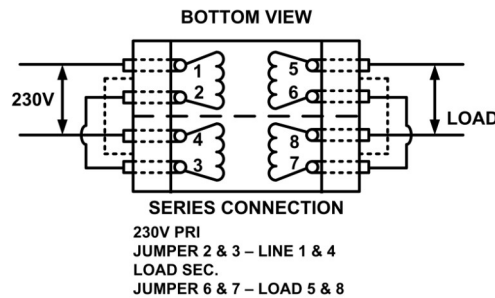
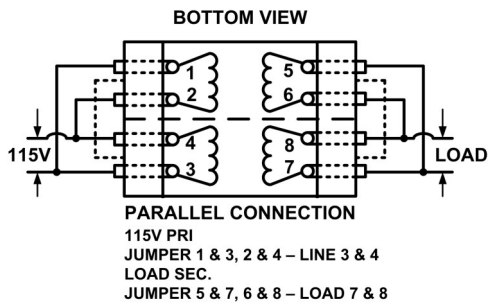
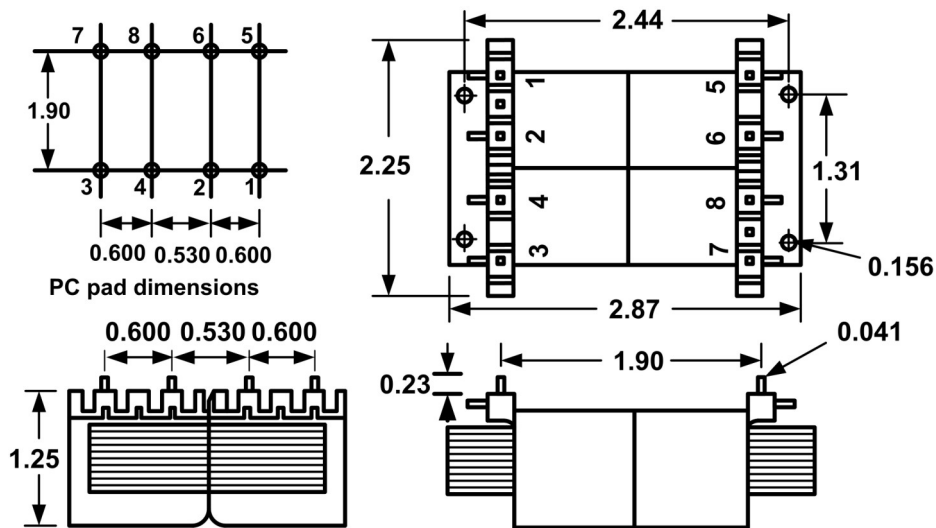


UI - PRINTED CIRCUIT MOUNT, LOW PROFILE POWER TRANSFORMER



● Indicates Like Polarity

1. Electrical Specifications

- A. Maximum Power: 24VA
- B. Input Voltage and Frequency: 115/230V @ 50/60Hz
- C. Voltage Regulation: 30% TYP @ Full Load to No Load
- D. Temperature Rise: 60°C TYP
- E. Insulation Resistance: < 1 MEG ohm
- F. Hi-Pot: 2500 Vrms 1 minute @ Pri to Sec
2500 Vrms 1 minute @ Pri to Core
1500 Vrms 1 minute @ Sec to Core

2. Marking: Wabash Transformer, part number (see table), date code, terminal numbers

3. Safety:

UL/cUL 5085-2 Recognized (File E182486)

UL 1446 Recognized Insulation System (File E95662)



Part No.	Series Connection	Parallel Connection
115/230V		
UI-24-10	10VCT @ 2.4A	5V @ 4.80A
UI-24-126	12.6VCT @ 1.90A	6.3V @ 3.80A
UI-24-16	16VCT @ 1.50A	8V @ 3.00A
UI-24-20	20VCT @ 1.20A	10V @ 2.40A
UI-24-24	24VCT @ 1.00A	12V @ 2.00A
UI-24-30	30VCT @ 800mA	15V @ 1.60A
UI-24-34	34VCT @ 705mA	17V @ 1.41A
UI-24-40	40VCT @ 600mA	20V @ 1.20A
UI-24-56	56VCT @ 428mA	28V @ 857mA
UI-24-88	88VCT @ 272mA	44V @ 545mA
UI-24-120	120VCT @ 200mA	60V @ 400mA
UI-24-230	230VCT @ 104mA	115V @ 208mA

 CONTENTS OF THIS DRAWING ARE SUBJECT TO CHANGE WITHOUT PRIOR NOTICE	POWER TRANSFORMER	UI-24-XXX	
	Wabash Transformer 101 Industrial Park Drive, Clarence, IA 52216		Dim: Inches

PROPRIETARY NOTICE: THIS DRAWING PRINT OR DOCUMENT AND SUBJECT MATTER DISCLOSED HEREIN ARE PROPRIETARY ITEMS TO WHICH WABASH TRANSFORMER RETAINS THE EXCLUSIVE RIGHT OF DISSEMINATION, MANUFACTURE AND SALE. THIS DRAWING, PRINT OR DOCUMENT IS SUBMITTED IN CONFIDENCE FOR CONSIDERATION BY THE RECIPIENT ALONE UNLESS PERMISSION FOR FURTHER DISCLOSURE IS EXPRESSLY GRANTED IN WRITING