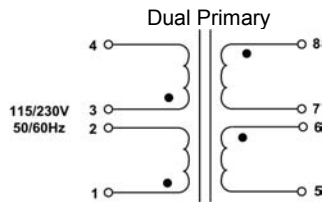
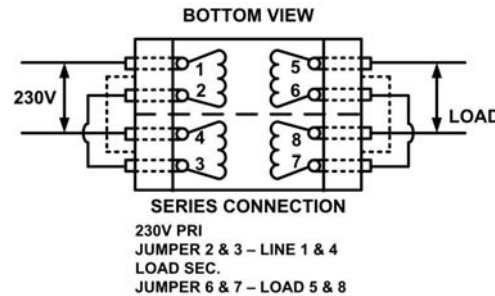
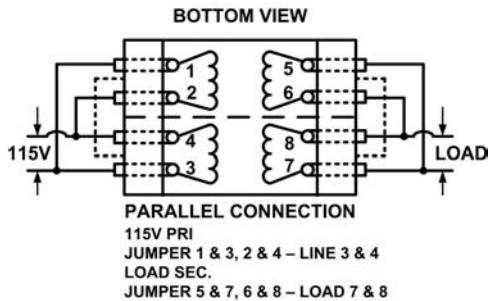
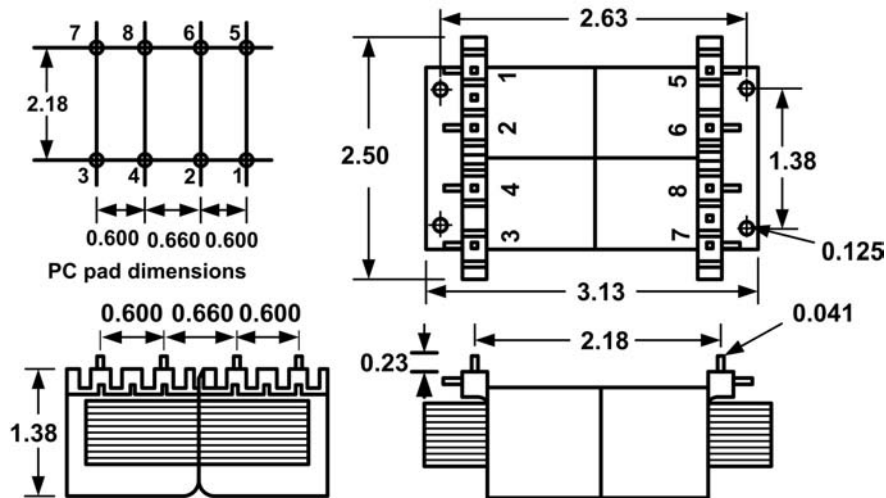


UI - PRINTED CIRCUIT MOUNT, LOW PROFILE POWER TRANSFORMER



● Indicates Like Polarity

1. Electrical Specifications

- A. Maximum Power: 48VA
- B. Input Voltage and Frequency: 115/230V @ 50/60Hz
- C. Voltage Regulation: 18% TYP @ Full Load to No Load
- D. Temperature Rise: 50°C TYP
- E. Insulation Resistance: < 1 MEG ohm
- F. Hi-Pot: 2500 Vrms 1 minute @ Pri to Sec
 2500 Vrms 1 minute @ Pri to Core
 1500 Vrms 1 minute @ Sec to Core

2. Marking: Wabash Transformer, part number (see table), date code, terminal numbers

3. Safety:

UL/cUL 5085-2 Recognized (File E182486)

UL 1446 Recognized Insulation System (File E95662)



Part No.	Series Connection	Parallel Connection
115/230V		
UI-48-10	10VCT @ 4.80A	5V @ 9.60A
UI-48-126	12.6VCT @ 3.80A	6.3V @ 7.60A
UI-48-16	16VCT @ 3.00A	8V @ 6.00A
UI-48-20	20VCT @ 2.40A	10V @ 4.80A
UI-48-24	24VCT @ 2.00A	12V @ 4.00A
UI-48-30	30VCT @ 1.60A	15V @ 3.20A
UI-48-34	34VCT @ 1.41A	17V @ 2.82A
UI-48-40	40VCT @ 1.20A	20V @ 2.40A
UI-48-56	56VCT @ 857mA	28V @ 1.71A
UI-48-88	88VCT @ 545mA	44V @ 1.09A
UI-48-120	120VCT @ 400mA	60V @ 800mA
UI-48-230	230VCT @ 208mA	115V @ 416mA

	POWER TRANSFORMER	UI-48-XXX	
CONTENTS OF THIS DRAWING ARE SUBJECT TO CHANGE WITHOUT PRIOR NOTICE	Wabash Transformer 101 Industrial Park Drive, Clarence, IA 52216	Dim: Inches	Sheet 1 of 1

PROPRIETARY NOTICE: THIS DRAWING PRINT OR DOCUMENT AND SUBJECT MATTER DISCLOSED HEREIN ARE PROPRIETARY ITEMS TO WHICH WABASH TRANSFORMER RETAINS THE EXCLUSIVE RIGHT OF DISSEMINATION, MANUFACTURE AND SALE. THIS DRAWING, PRINT OR DOCUMENT IS SUBMITTED IN CONFIDENCE FOR CONSIDERATION BY THE RECIPIENT ALONE UNLESS PERMISSION FOR FURTHER DISCLOSURE IS EXPRESSLY GRANTED IN WRITING