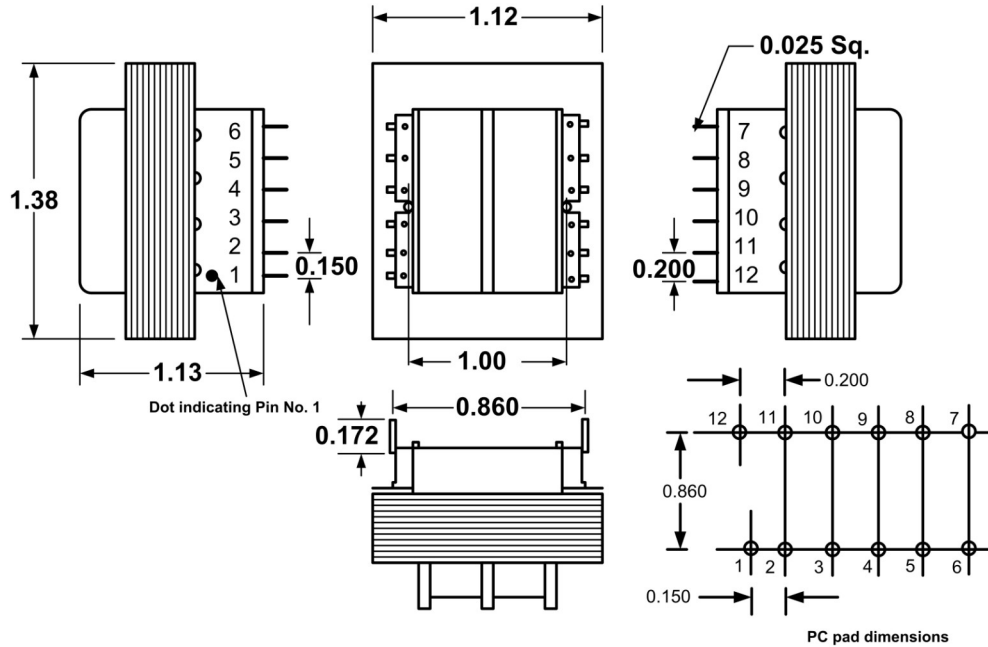


# PSX & PDX - PRINTED CIRCUIT MOUNT, HORIZONTAL, STANDARD PROFILE POWER TRANSFORMER



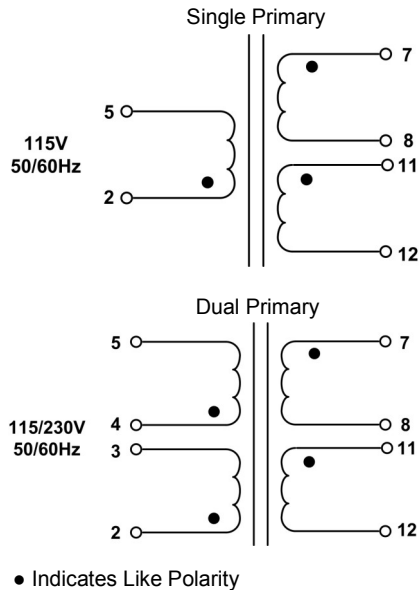
## 1. Electrical Specifications

- Maximum Power: 2.4VA
- Input Voltage and Frequency: 115/230V, 115V @ 50/60Hz
- Voltage Regulation: \_\_\_% TYP @ Full Load to No Load
- Temperature Rise: \_\_\_°CTYP
- Insulation Resistance: > \_\_\_ MEG ohm
- Hi-Pot: 1500 Vrms 1 minute @ Pri to Sec  
 \_\_\_ Vrms 1 minute @ Pri to Core  
 \_\_\_ Vrms 1 minute @ Sec to Core

2. Marking: Wabash Transformer, part number (see table), date code, terminal numbers

## 3. Safety:

UL/cUL 5085-2 Recognized (File E182486)  
 Insulation File No. E182094



Part No.			
115V	115/230V	Series Connection	Parallel Connection
PSX-24-10	PDX-24-10	10VCT @ 0.24A	5V @ 0.48A
PSX-24-126	PDX-24-126	12.6VCT @ 0.19A	6.3V @ 0.38A
PSX-24-16	PDX-24-16	16VCT @ 0.15A	8V @ 0.30A
PSX-24-20	PDX-24-20	20VCT @ 0.12A	10V @ 0.24A
PSX-24-24	PDX-24-24	24VCT @ 0.10A	12V @ 0.20A
PSX-24-28	PDX-24-28	28VCT @ 0.085A	14V @ 0.17A
PSX-24-36	PDX-24-36	36VCT @ 0.066A	18V @ 0.13A
PSX-24-48	PDX-24-48	48VCT @ 0.05A	24V @ 0.10A
PSX-24-56	PDX-24-56	56VCT @ 0.043A	28V @ 0.086A
PSX-24-120	PDX-24-120	120VCT @ 0.02A	60V @ 0.04A

	<b>POWER TRANSFORMER</b>		<b>PSX-24-XXX PDX-24-XXX</b>	
	<b>Wabash Transformer</b> 101 Industrial Park Drive, Clarence, IA 52216		Dim: Inches	Sheet 1 of 1

PROPRIETARY NOTICE: THIS DRAWING PRINT OR DOCUMENT AND SUBJECT MATTER DISCLOSED HEREIN ARE PROPRIETARY ITEMS TO WHICH WABASH TRANSFORMER RETAINS THE EXCLUSIVE RIGHT OF DISSEMINATION, MANUFACTURE AND SALE. THIS DRAWING, PRINT OR DOCUMENT IS SUBMITTED IN CONFIDENCE FOR CONSIDERATION BY THE RECIPIENT ALONE UNLESS PERMISSION FOR FURTHER DISCLOSURE IS EXPRESSLY GRANTED IN WRITING