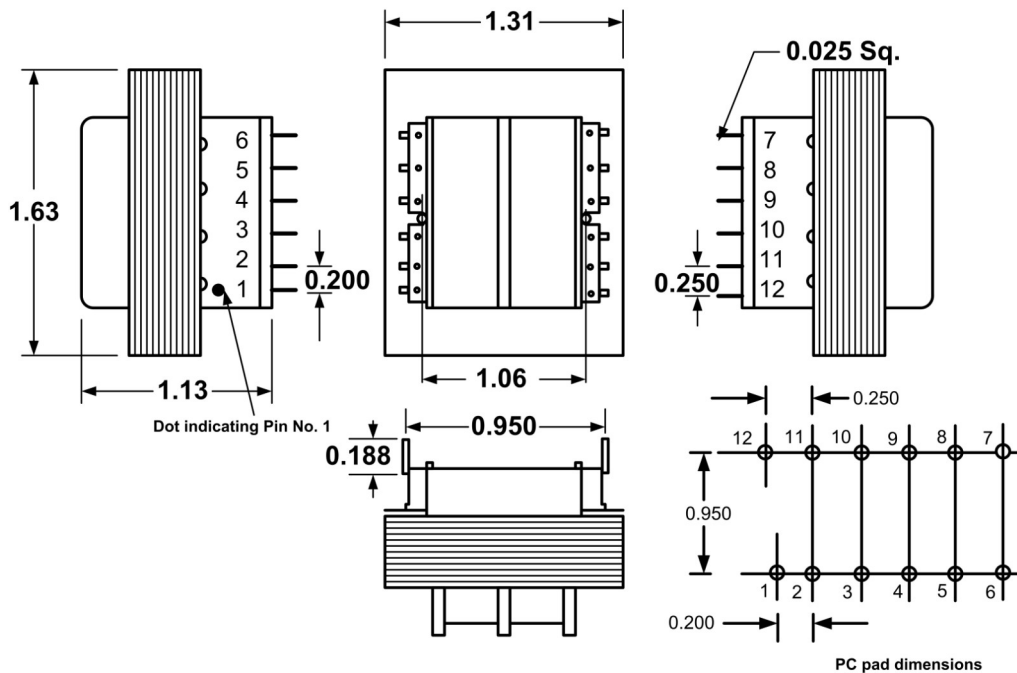


# PSX & PDX - PRINTED CIRCUIT MOUNT, HORIZONTAL, STANDARD PROFILE POWER TRANSFORMER



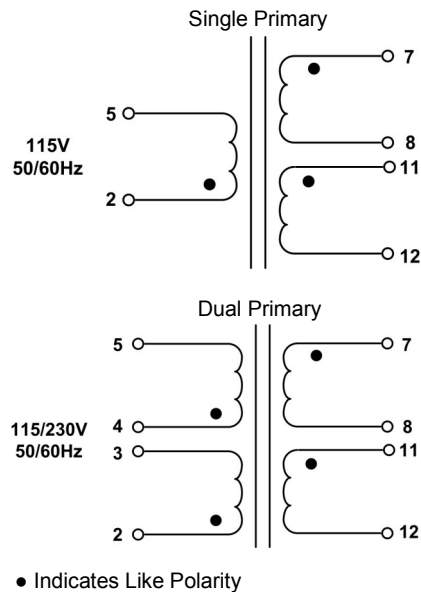
## 1. Electrical Specifications

- A. Maximum Power: 5 VA
- B. Input Voltage and Frequency: 115/230V, 115V @ 50/60Hz
- C. Voltage Regulation: \_\_\_% TYP @ Full Load to No Load
- D. Temperature Rise: \_\_\_°CTYP
- E. Insulation Resistance: > \_\_\_ MEG ohm
  - \_\_\_ Vrms 1 minute @ Pri to Sec
  - \_\_\_ Vrms 1 minute @ Pri to Core
  - \_\_\_ Vrms 1 minute @ Sec to Core
- F. Hi-Pot: 1500 Vrms 1 minute @ Pri to Sec

2. Marking: Wabash Transformer, part number (see table), date code, terminal numbers

## 3. Safety:

UL/cUL 5085-2 Recognized (File E182486)  
Insulation File No. E182094



| Part No.   |            |                   |                     |
|------------|------------|-------------------|---------------------|
| 115V       | 115/230V   | Series Connection | Parallel Connection |
| PSX-05-10  | PDX-05-10  | 10VCT @ 0.50A     | 5V @ 1.0A           |
| PSX-05-126 | PDX-05-126 | 12.6VCT @ 0.397A  | 6.3V @ 0.794A       |
| PSX-05-16  | PDX-05-16  | 16VCT @ 0.312A    | 8V @ 0.624A         |
| PSX-05-20  | PDX-05-20  | 20VCT @ 0.25A     | 10V @ 0.50A         |
| PSX-05-24  | PDX-05-24  | 24VCT @ 0.208A    | 12V @ 0.416A        |
| PSX-05-28  | PDX-05-28  | 28VCT @ 0.178A    | 14V @ 0.357A        |
| PSX-05-36  | PDX-05-36  | 36VCT @ 0.139A    | 18V @ 0.278A        |
| PSX-05-48  | PDX-05-48  | 48VCT @ 0.104A    | 24V @ 0.208A        |
| PSX-05-56  | PDX-05-56  | 56VCT @ 0.089A    | 28V @ 0.178A        |
| PSX-05-120 | PDX-05-120 | 120VCT @ 0.042A   | 60V @ 0.084A        |

|   |  |  |                                  |              |
|---|--|--|----------------------------------|--------------|
|   | <b>POWER TRANSFORMER</b>   |  | <b>PSX-05-XXX<br/>PDX-05-XXX</b> |              |
|   | <b>Wabash Transformer</b><br>101 Industrial Park Drive, Clarence, IA 52216 |  | Dim: Inches                      | Sheet 1 of 1 |
| PROPRIETARY NOTICE: THIS DRAWING PRINT OR DOCUMENT AND SUBJECT MATTER DISCLOSED HEREIN ARE PROPRIETARY ITEMS TO WHICH WABASH TRANSFORMER RETAINS THE EXCLUSIVE RIGHT OF DISSEMINATION, MANUFACTURE AND SALE. THIS DRAWING, PRINT OR DOCUMENT IS SUBMITTED IN CONFIDENCE FOR CONSIDERATION BY THE RECIPIENT ALONE UNLESS PERMISSION FOR FURTHER DISCLOSURE IS EXPRESSLY GRANTED IN WRITING |  |  |                                  |              |