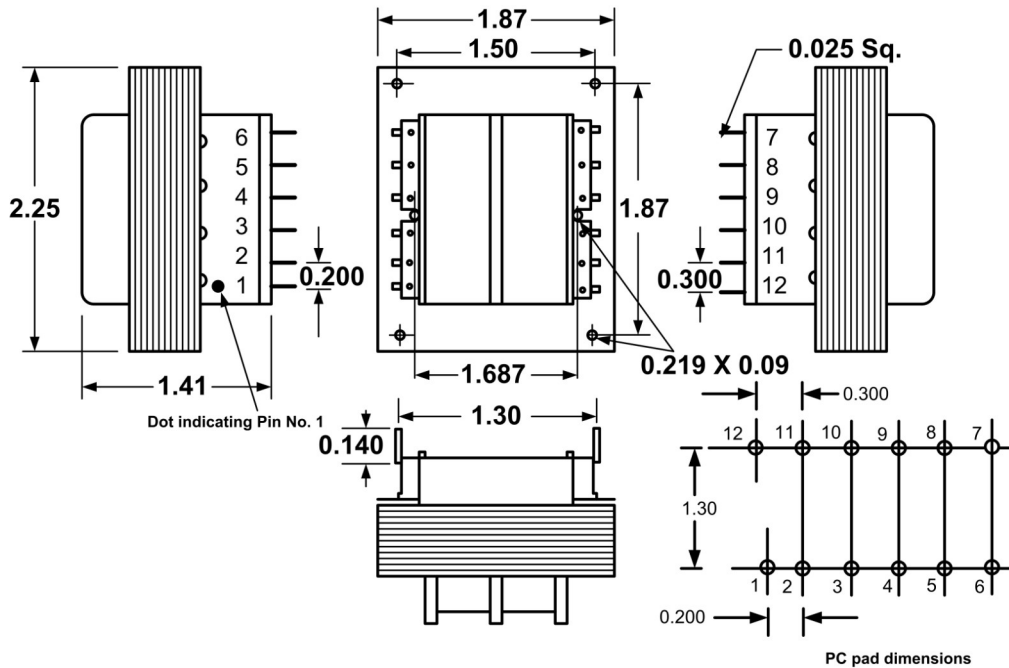


# PSX & PDX - PRINTED CIRCUIT MOUNT, HORIZONTAL, STANDARD PROFILE POWER TRANSFORMER

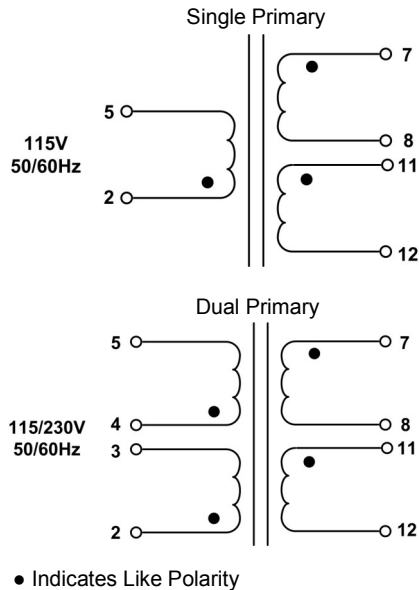


## 1. Electrical Specifications

- A. Maximum Power: 20 VA
- B. Input Voltage and Frequency: 115/230V, 115V @ 50/60Hz
- C. Voltage Regulation: \_\_\_% TYP @ Full Load to No Load
- D. Temperature Rise: \_\_\_°CTYP
- E. Insulation Resistance: > \_\_\_ MEG ohm  
 \_\_\_ Vrms 1 minute @ Pri to Core  
 \_\_\_ Vrms 1 minute @ Sec to Core
- F. Hi-Pot: 1500 Vrms 1 minute @ Pri to Sec

2. Marking: Wabash Transformer, part number (see table), date code, terminal numbers

3. Safety:  
 UL/cUL 5085-2 Recognized (File E182486)  
 Insulation File No. E182094



Part No.			
115V	115/230V	Series Connection	Parallel Connection
PSX-20-10	PDX-20-10	10VCT @ 2.0A	5V @ 4.0A
PSX-20-126	PDX-20-126	12.6VCT @ 1.58A	6.3V @ 3.17A
PSX-20-16	PDX-20-16	16VCT @ 1.25A	8V @ 2.50A
PSX-20-20	PDX-20-20	20VCT @ 1.0A	10V @ 2.0A
PSX-20-24	PDX-20-24	24VCT @ 0.833A	12V @ 1.67A
PSX-20-28	PDX-20-28	28VCT @ 0.714A	14V @ 1.43A
PSX-20-36	PDX-20-36	36VCT @ 0.55A	18V @ 1.11A
PSX-20-48	PDX-20-48	48VCT @ 0.416A	24V @ 0.833A
PSX-20-56	PDX-20-56	56VCT @ 0.357A	28V @ 0.714A
PSX-20-120	PDX-20-120	120VCT @ 0.167A	60V @ 0.334A

 CONTENTS OF THIS DRAWING ARE SUBJECT TO CHANGE WITHOUT PRIOR NOTICE	<b>POWER TRANSFORMER</b>  <b>Wabash Transformer</b> 101 Industrial Park Drive, Clarence, IA 52216		<b>PSX-20-XXX</b> <b>PDX-20-XXX</b>	
			Dim: Inches	Sheet 1 of 1

PROPRIETARY NOTICE: THIS DRAWING PRINT OR DOCUMENT AND SUBJECT MATTER DISCLOSED HEREIN ARE PROPRIETARY ITEMS TO WHICH WABASH TRANSFORMER RETAINS THE EXCLUSIVE RIGHT OF DISSEMINATION, MANUFACTURE AND SALE. THIS DRAWING, PRINT OR DOCUMENT IS SUBMITTED IN CONFIDENCE FOR CONSIDERATION BY THE RECIPIENT ALONE UNLESS PERMISSION FOR FURTHER DISCLOSURE IS EXPRESSLY GRANTED IN WRITING