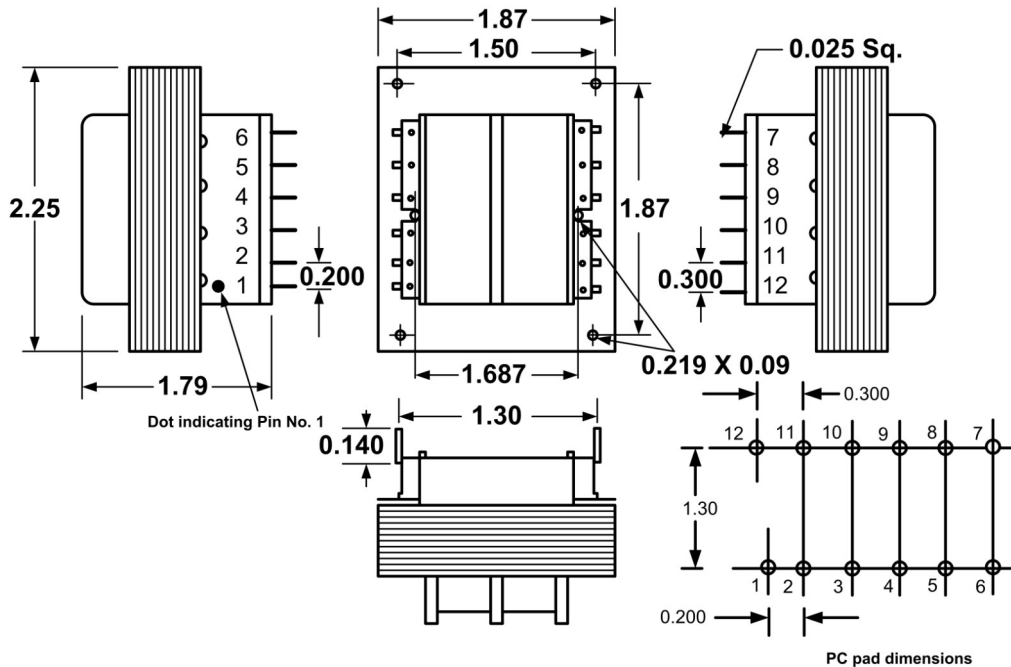


PSX & PDX - PRINTED CIRCUIT MOUNT, HORIZONTAL, STANDARD PROFILE POWER TRANSFORMER



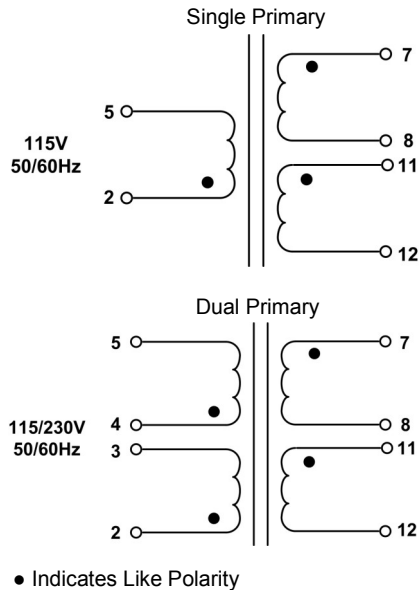
1. Electrical Specifications

- A. Maximum Power: 30 VA
- B. Input Voltage and Frequency: 115/230V, 115V @ 50/60Hz
- C. Voltage Regulation: ___% TYP @ Full Load to No Load
- D. Temperature Rise: ___°CTYP
- E. Insulation Resistance: > ___ MEG ohm
 - ___ Vrms 1 minute @ Pri to Core
 - ___ Vrms 1 minute @ Sec to Core
- F. Hi-Pot: 1500 Vrms 1 minute @ Pri to Sec

2. Marking: Wabash Transformer, part number (see table), date code, terminal numbers

3. Safety:

UL/cUL 5085-2 Recognized (File E182486)
Insulation File No. E182094



Part No.			
115V	115/230V	Series Connection	Parallel Connection
PSX-30-10	PDX-30-10	10VCT @ 3.0A	5V @ 6.0A
PSX-30-126	PDX-30-126	12.6VCT @ 2.5A	6.3V @ 5.0A
PSX-30-16	PDX-30-16	16VCT @ 1.875A	8V @ 3.75A
PSX-30-20	PDX-30-20	20VCT @ 1.5A	10V @ 3.0A
PSX-30-24	PDX-30-24	24VCT @ 1.25A	12V @ 2.5A
PSX-30-28	PDX-30-28	28VCT @ 1.071A	14V @ 2.142A
PSX-30-36	PDX-30-36	36VCT @ 0.833A	18V @ 1.67A
PSX-30-48	PDX-30-48	48VCT @ 0.625A	24V @ 1.25A
PSX-30-56	PDX-30-56	56VCT @ 0.536A	28V @ 1.072A
PSX-30-120	PDX-30-120	120VCT @ 0.25A	60V @ 0.5A

	POWER TRANSFORMER		PSX-30-XXX PDX-30-XXX	
	Wabash Transformer 101 Industrial Park Drive, Clarence, IA 52216		Dim: Inches	Sheet 1 of 1

PROPRIETARY NOTICE: THIS DRAWING PRINT OR DOCUMENT AND SUBJECT MATTER DISCLOSED HEREIN ARE PROPRIETARY ITEMS TO WHICH WABASH TRANSFORMER RETAINS THE EXCLUSIVE RIGHT OF DISSEMINATION, MANUFACTURE AND SALE. THIS DRAWING, PRINT OR DOCUMENT IS SUBMITTED IN CONFIDENCE FOR CONSIDERATION BY THE RECIPIENT ALONE UNLESS PERMISSION FOR FURTHER DISCLOSURE IS EXPRESSLY GRANTED IN WRITING