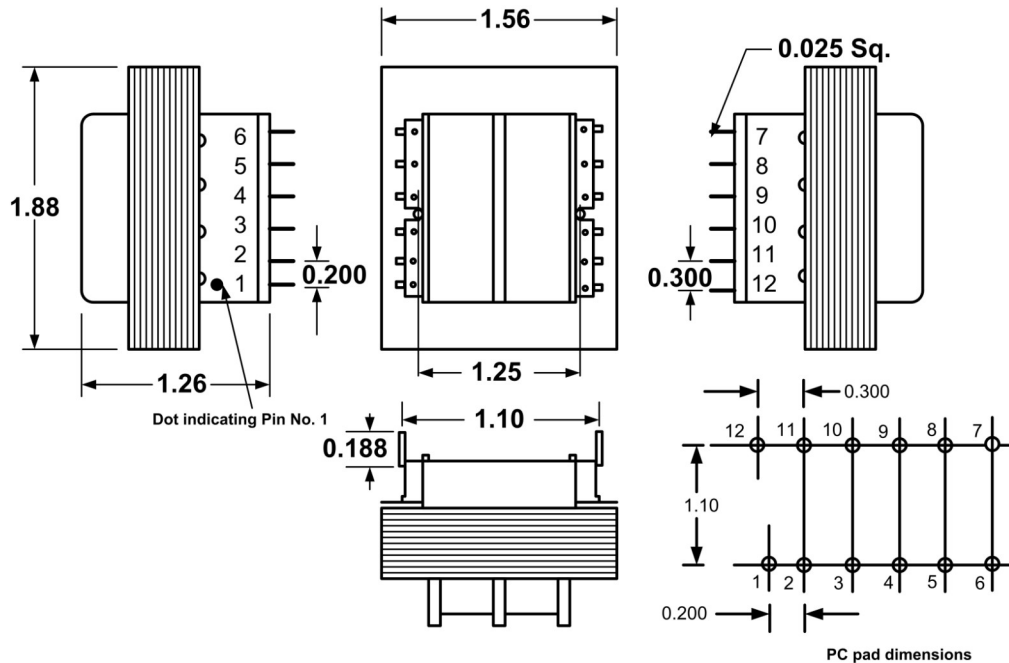


PSX & PDX - PRINTED CIRCUIT MOUNT, HORIZONTAL, STANDARD PROFILE POWER TRANSFORMER

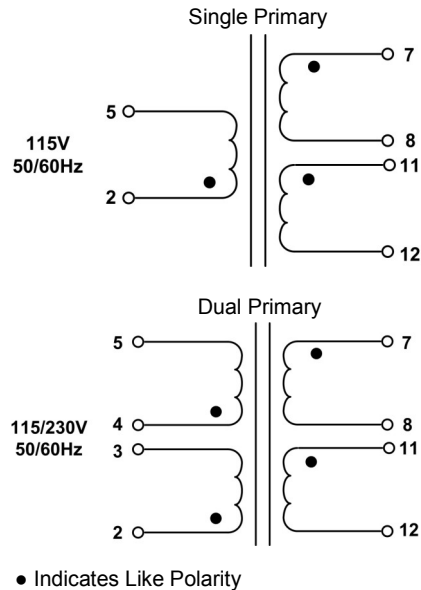


1. Electrical Specifications

- A. Maximum Power: 10 VA
- B. Input Voltage and Frequency: 115/230V, 115V @ 50/60Hz
- C. Voltage Regulation: __% TYP @ Full Load to No Load
- D. Temperature Rise: __°CTYP
- E. Insulation Resistance: > __ MEG ohm
 - ___ Vrms 1 minute @ Pri to Sec
 - ___ Vrms 1 minute @ Pri to Core
 - ___ Vrms 1 minute @ Sec to Core
- F. Hi-Pot: 1500 Vrms 1 minute @ Pri to Sec

2. Marking: Wabash Transformer, part number (see table), date code, terminal numbers

3. Safety:
 UL/cUL 5085-2 Recognized (File E182486)
 Insulation File No. E182094



Part No.			
115V	115/230V	Series Connection	Parallel Connection
PSX-10-10	PDX-10-10	10VCT @ 1.0A	5V @ 2.0A
PSX-10-126	PDX-10-126	12.6VCT @ 0.79A	6.3V @ 1.59A
PSX-10-16	PDX-10-16	16VCT @ 0.625A	8V @ 1.25A
PSX-10-20	PDX-10-20	20VCT @ 0.50A	10V @ 1.0A
PSX-10-24	PDX-10-24	24VCT @ 0.416A	12V @ 0.833A
PSX-10-28	PDX-10-28	28VCT @ 0.357A	14V @ 0.714A
PSX-10-36	PDX-10-36	36VCT @ 0.278A	18V @ 0.556A
PSX-10-48	PDX-10-48	48VCT @ 0.208A	24V @ 0.416A
PSX-10-56	PDX-10-56	56VCT @ 0.178A	28V @ 0.357A
PSX-10-120	PDX-10-120	120VCT @ 0.083A	60V @ 0.166A

 CONTENTS OF THIS DRAWING ARE SUBJECT TO CHANGE WITHOUT PRIOR NOTICE	POWER TRANSFORMER	PSX-10-XXX PDX-10-XXX	
	Wabash Transformer 101 Industrial Park Drive, Clarence, IA 52216	Dim: Inches	Sheet 1 of 1

PROPRIETARY NOTICE: THIS DRAWING PRINT OR DOCUMENT AND SUBJECT MATTER DISCLOSED HEREIN ARE PROPRIETARY ITEMS TO WHICH WABASH TRANSFORMER RETAINS THE EXCLUSIVE RIGHT OF DISSEMINATION, MANUFACTURE AND SALE. THIS DRAWING, PRINT OR DOCUMENT IS SUBMITTED IN CONFIDENCE FOR CONSIDERATION BY THE RECIPIENT ALONE UNLESS PERMISSION FOR FURTHER DISCLOSURE IS EXPRESSLY GRANTED IN WRITING