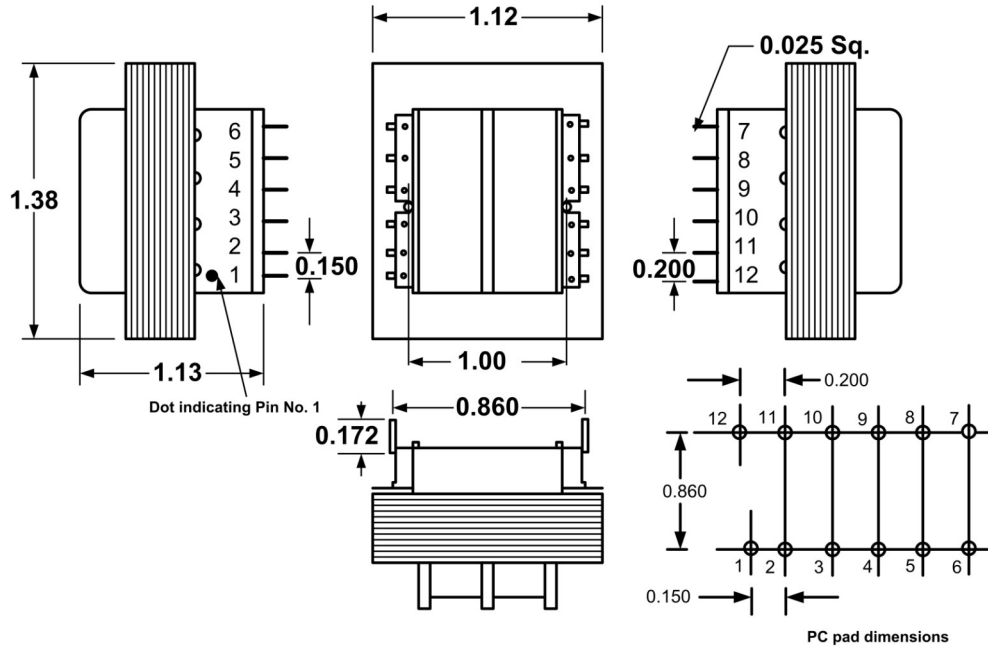


PSX & PDX - PRINTED CIRCUIT MOUNT, HORIZONTAL, STANDARD PROFILE POWER TRANSFORMER



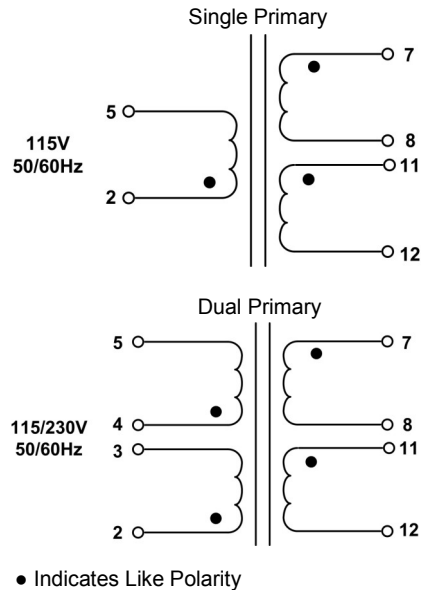
1. Electrical Specifications

- Maximum Power: 1.2VA
- Input Voltage and Frequency: 115/230V, 115V @ 50/60Hz
- Voltage Regulation: ___% TYP @ Full Load to No Load
- Temperature Rise: ___°CTYP
- Insulation Resistance: > ___ MEG ohm
- Hi-Pot: 1500 Vrms 1 minute @ Pri to Sec
 ___ Vrms 1 minute @ Pri to Core
 ___ Vrms 1 minute @ Sec to Core

2. Marking: Wabash Transformer, part number (see table), date code, terminal numbers

3. Safety:

UL/cUL 5085-2 Recognized (File E182486)
 Insulation File No. E182094



Part No.		Series Connection	Parallel Connection
115V	115/230V		
PSX-012-10	PDX-012-10	10VCT @ 0.12A	5V @ 0.24A
PSX-012-126	PDX-012-126	12.6VCT @ 0.09A	6.3V @ 0.19A
PSX-012-16	PDX-012-16	16VCT @ 0.07A	8V @ 0.14A
PSX-012-20	PDX-012-20	20VCT @ 0.06A	10V @ 0.12A
PSX-012-24	PDX-012-24	24VCT @ 0.05A	12V @ 0.10A
PSX-012-28	PDX-012-28	28VCT @ 0.043A	14V @ 0.086A
PSX-012-36	PDX-012-36	36VCT @ 0.033A	18V @ 0.066A
PSX-012-48	PDX-012-48	48VCT @ 0.025A	24V @ 0.05A
PSX-012-56	PDX-012-56	56VCT @ 0.021A	28V @ 0.042A
PSX-012-120	PDX-012-120	120VCT @ 0.01A	60V @ 0.02A

	POWER TRANSFORMER		PSX-012-XXX PDX-012-XXX	
	CONTENTS OF THIS DRAWING ARE SUBJECT TO CHANGE WITHOUT PRIOR NOTICE		Wabash Transformer 101 Industrial Park Drive, Clarence, IA 52216	Dim: Inches

PROPRIETARY NOTICE: THIS DRAWING PRINT OR DOCUMENT AND SUBJECT MATTER DISCLOSED HEREIN ARE PROPRIETARY ITEMS TO WHICH WABASH TRANSFORMER RETAINS THE EXCLUSIVE RIGHT OF DISSEMINATION, MANUFACTURE AND SALE. THIS DRAWING, PRINT OR DOCUMENT IS SUBMITTED IN CONFIDENCE FOR CONSIDERATION BY THE RECIPIENT ALONE UNLESS PERMISSION FOR FURTHER DISCLOSURE IS EXPRESSLY GRANTED IN WRITING