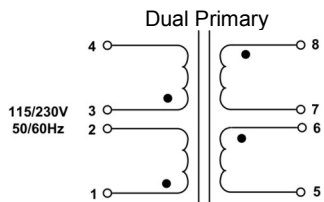
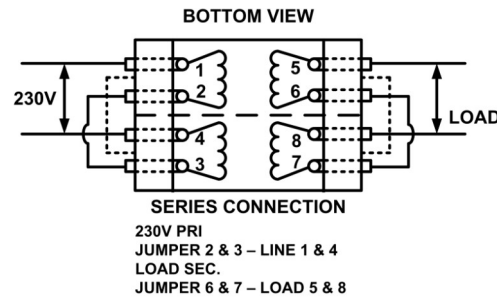
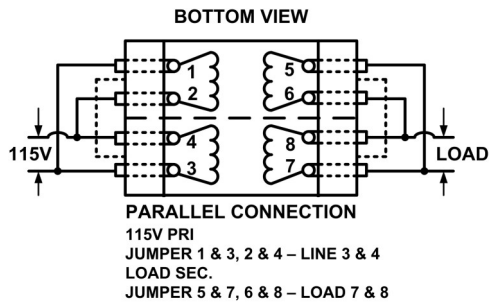
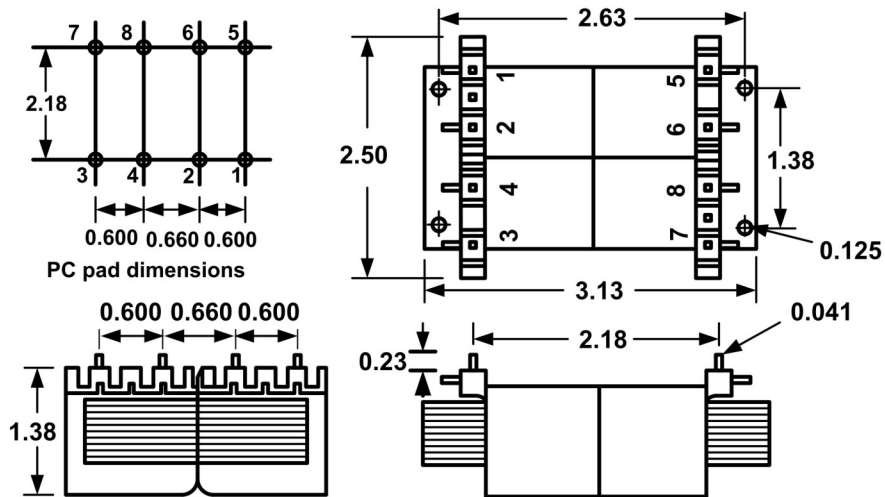


UI - PRINTED CIRCUIT MOUNT, LOW PROFILE POWER TRANSFORMER



• Indicates Like Polarity

1. Electrical Specifications

- A. Maximum Power: 36VA
- B. Input Voltage and Frequency: 115/230V @ 50/60Hz
- C. Voltage Regulation: ___% TYP @ Full Load to No Load
- D. Temperature Rise: ___°CTYP
- E. Insulation Resistance: < ___ MEG ohm
- F. Hi-Pot: 2500 Vrms 1 minute @ Pri to Sec
 ___ Vrms 1 minute @ Pri to Core
 ___ Vrms 1 minute @ Sec to Core

2. Marking: Wabash Transformer, part number (see table), date code, terminal numbers

3. Safety:

UL/cUL 5085-2 Recognized (File E182486)

Insulation File No. E182094



Part No.	115/230V	Series Connection	Parallel Connection
UI-36-10	10VCT @ 3.60A	5V @ 7.20A	
UI-36-126	12.6VCT @ 2.86A	6.3V @ 5.72A	
UI-36-16	16VCT @ 2.25A	8V @ 4.50A	
UI-36-20	20VCT @ 1.80A	10V @ 3.60A	
UI-36-24	24VCT @ 1.50A	12V @ 3.00A	
UI-36-30	30VCT @ 1.20A	15V @ 2.40A	
UI-36-34	34VCT @ 1.06A	17V @ 2.12A	
UI-36-40	40VCT @ 0.90A	20V @ 1.80A	
UI-36-56	56VCT @ 0.642A	28V @ 1.284A	
UI-36-88	88VCT @ 0.409A	44V @ 0.818A	
UI-36-120	120VCT @ 0.300A	60VCT @ 0.600A	
UI-36-230	230VCT @ 0.156A	115V @ 0.312A	

 CONTENTS OF THIS DRAWING ARE SUBJECT TO CHANGE WITHOUT PRIOR NOTICE	POWER TRANSFORMER	UI-36-XXX	
	Wabash Transformer 101 Industrial Park Drive, Clarence, IA 52216	Dim: Inches	Sheet 1 of 1

PROPRIETARY NOTICE: THIS DRAWING PRINT OR DOCUMENT AND SUBJECT MATTER DISCLOSED HEREIN ARE PROPRIETARY ITEMS TO WHICH WABASH TRANSFORMER RETAINS THE EXCLUSIVE RIGHT OF DISSEMINATION, MANUFACTURE AND SALE. THIS DRAWING, PRINT OR DOCUMENT IS SUBMITTED IN CONFIDENCE FOR CONSIDERATION BY THE RECIPIENT ALONE UNLESS PERMISSION FOR FURTHER DISCLOSURE IS EXPRESSLY GRANTED IN WRITING