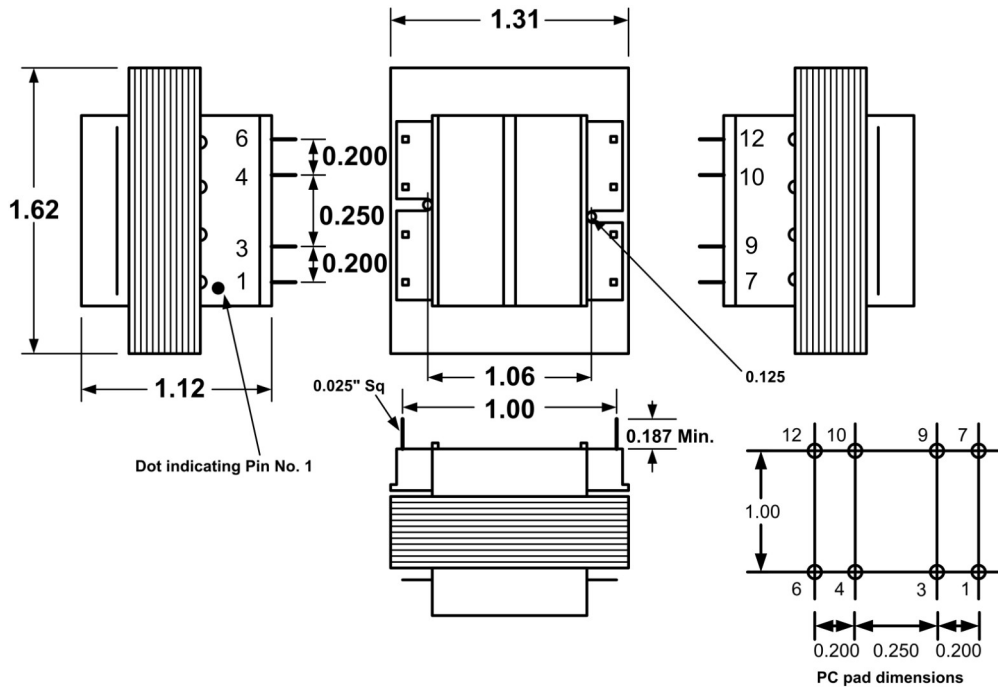


VDE - PRINTED CIRCUIT MOUNT, INTERNATIONAL POWER TRANSFORMER



1. Electrical Specifications

- A. Maximum Power: 2.5VA
- B. Input Voltage and Frequency: 115/230V, 115V, 230V @ 50/60Hz
- C. Voltage Regulation: 82% TYP @ Full Load to No Load
- D. Temperature Rise: 60°C TYP
- E. Insulation Resistance: > 1 MEG ohm
- F. Hi-Pot: 2500 Vrms 1 minute @ Pri to Sec
2500 Vrms 1 minute @ Pri to Core
1200 Vrms 1 minute @ Sec to Core

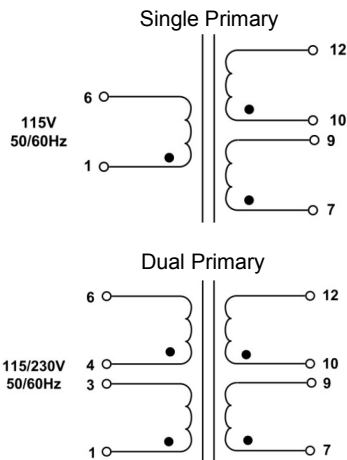
2. Marking: Wabash Transformer, part number (see table), date code, terminal numbers

3. Safety:

- UL Certified Construction (File E216069)
- UL/cUL 5085-2 Recognized (File E47299)
- VDE Licensed (File 40001595)
- UL/cUL 5085-3 Class 2 Recognized (File E49606)
- UL 6500 Audio/Video Recognized (File E210114)
- Insulation File No. E95662



CLASS 2



● Indicates Like Polarity

Part No.				Series Connection	Parallel Connection	Class 2	Audio/Video
115/230V	115V	230V					
VDE-025P-10	VDE1-025P-10	VDE2-025P-10	10VCT @ 0.250A	5V @ 0.500A	✓	✓	
VDE-025P-126	VDE1-025P-126	VDE2-025P-126	12.6VCT @ 0.198A	6.3V @ 0.396A	✓	✓	
VDE-025P-16	VDE1-025P-16	VDE2-025P-16	16VCT @ 0.156A	8V @ 0.312A	✓	✓	
VDE-025P-18	VDE1-025P-18	VDE2-025P-18	18VCT @ 0.138A	9V @ 0.277A	✓	✓	
VDE-025P-20	VDE1-025P-20	VDE2-025P-20	20VCT @ 0.125A	10V @ 0.250A	-	✓	
VDE-025P-24	VDE1-025P-24	VDE2-025P-24	24VCT @ 0.104A	12V @ 0.208A	-	✓	
VDE-025P-28	VDE1-025P-28	VDE2-025P-28	28VCT @ 0.089A	14V @ 0.178A	-	✓	
VDE-025P-36	VDE1-025P-36	VDE2-025P-36	36VCT @ 0.069A	18V @ 0.138A	-	✓	

	INTERNATIONAL POWER TRANSFORMER	VDE-025P-XXX VDE1-025P-XXX VDE2-025P-XXX	
CONTENTS OF THIS DRAWING ARE SUBJECT TO CHANGE WITHOUT PRIOR NOTICE	Wabash Transformer 101 Industrial Park Drive, Clarence, IA 52216	Dim: Inches	Sheet 1 of 1

PROPRIETARY NOTICE: THIS DRAWING PRINT OR DOCUMENT AND SUBJECT MATTER DISCLOSED HEREIN ARE PROPRIETARY ITEMS TO WHICH WABASH TRANSFORMER RETAINS THE EXCLUSIVE RIGHT OF DISSEMINATION, MANUFACTURE AND SALE. THIS DRAWING, PRINT OR DOCUMENT IS SUBMITTED IN CONFIDENCE FOR CONSIDERATION BY THE RECIPIENT ALONE UNLESS PERMISSION FOR FURTHER DISCLOSURE IS EXPRESSLY GRANTED IN WRITING