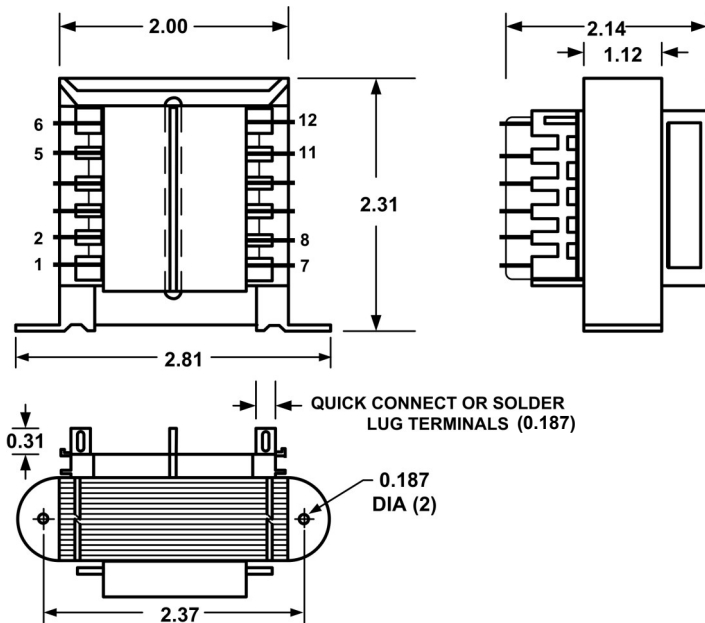


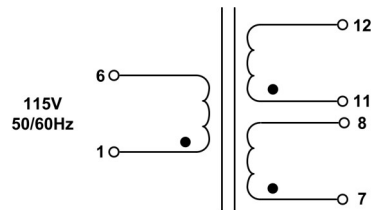
VDE - QUICK-CONNECT TERMINALS, INTERNATIONAL POWER TRANSFORMER



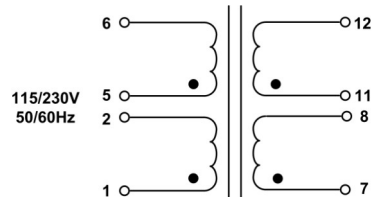
1. Electrical Specifications
 - A. Maximum Power: 30VA
 - B. Input Voltage : 115V, 115/230V & 230V
 - C. Frequency: 50/60Hz
 - D. Temperature Class: F (155°C)
 - F. Hi-Pot: 4000Vrms 1 minute @ Pri to Sec
4000Vms 1 minute @ Pri to Core
4000Vms 1 minute @ Sec to Core
2. Marking: Wabash part number (see table), date code, terminal numbers
3. Safety:
 - UL/cUL 5085-2 Recognized (File E47299)
 - UL/CuL 5085-3 Recognized (File E49606)
 - VDE Licensed (File 40001595)
 - UL Recognized Insulation System (File E95662)



Single Primary



Dual Primary



| Part Number | | | | |
|-------------|--------------|--------------|-------------------|---------------------|
| 115/230V | 115V | 230V | Series Connection | Parallel Connection |
| VDE-30T-10 | VDE1-30T-10 | VDE2-30T-10 | 10VCT @ 3.00A | 5V @ 6.00A |
| VDE-30T-126 | VDE1-30T-126 | VDE2-30T-126 | 12.6VCT @ 2.38A | 6.3V @ 4.76A |
| VDE-30T-16 | VDE1-30T-16 | VDE2-30T-16 | 16VCT @ 1.87A | 8V @ 3.74A |
| VDE-30T-18 | VDE1-30T-18 | VDE2-30T-18 | 18VCT @ 1.66A | 9V @ 3.33A |
| VDE-30T-20 | VDE1-30T-20 | VDE2-30T-20 | 20VCT @ 1.50A | 10V @ 3.00A |
| VDE-30T-24 | VDE1-30T-24 | VDE2-30T-24 | 24VCT @ 1.25A | 12V @ 2.50A |
| VDE-30T-28 | VDE1-30T-28 | VDE2-30T-28 | 28VCT @ 1.07A | 14V @ 2.14A |
| VDE-30T-36 | VDE1-30T-36 | VDE2-30T-36 | 36VCT @ 833mA | 18V @ 1.66A |

| | | | |
|----------------------------------------------------------------------------------------------------------------------------------------------------------------------------------------------------------------------------------------------------------------------------------------------------------------------------------------------------------------------------------------------|-------------------------------------------------------------------------------|--------------------|--------------|
| | INTERNATIONAL POWER TRANSFORMER | VDE-30T-XXX | |
| CONTENTS OF THIS DRAWING ARE SUBJECT TO CHANGE WITHOUT PRIOR NOTICE | Wabash Transformer, Inc. 101 Industrial Park Dr, Clarence, IA 52216 | Dim: Inches | Sheet 1 of 1 |
| <small>PROPRIETARY NOTICE: THIS DRAWING PRINT OR DOCUMENT AND SUBJECT MATTER DISCLOSED HEREIN ARE PROPRIETARY ITEMS TO WHICH WABASH RETAINS THE EXCLUSIVE RIGHT OF DISSEMINATION, MANUFACTURE AND SALE. THIS DRAWING, PRINT OR DOCUMENT IS SUBMITTED IN CONFIDENCE FOR CONSIDERATION BY THE RECIPIENT ALONE UNLESS PERMISSION FOR FURTHER DISCLOSURE IS EXPRESSLY GRANTED IN WRITING</small> | | | |