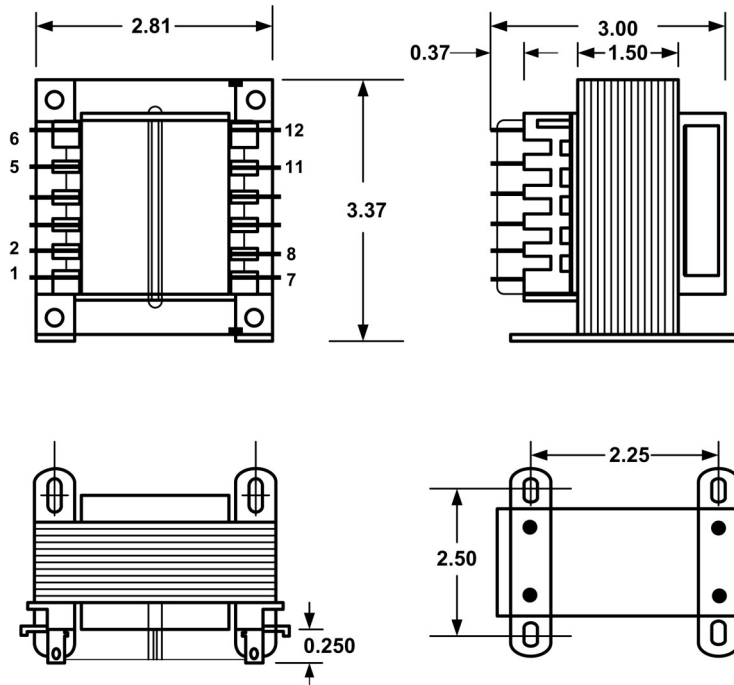


# VDE - QUICK-CONNECT TERMINALS, INTERNATIONAL POWER TRANSFORMER



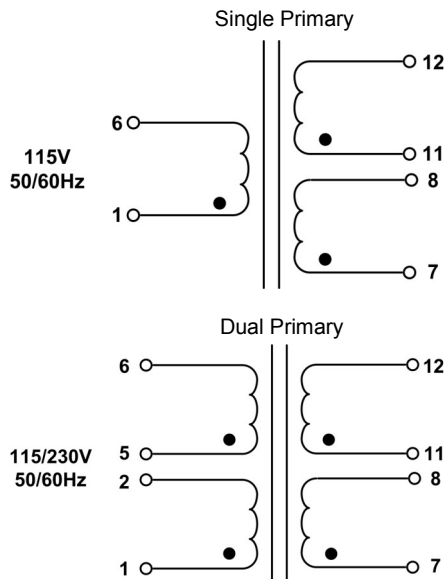
## 1. Electrical Specifications

- A. Maximum Power: 130VA
- B. Input Voltage and Frequency: 115/230V, 115V, 230V @ 50/60Hz
- C. Voltage Regulation: \_\_\_% TYP @ Full Load to No Load
- D. Temperature Rise: \_\_\_°CTYP
- E. Insulation Resistance: > \_\_\_ MEG ohm
- F. Hi-Pot: 4000 Vrms 1 minute @ Pri to Sec  
 \_\_\_ Vrms 1 minute @ Pri to Core  
 \_\_\_ Vrms 1 minute @ Sec to Core

2. Marking: Wabash Transformer, part number (see table), date code, terminal numbers

## 3. Safety:

- UL/cUL 5085-2 Recognized (File E182486)
- VDE Licensed (File 40001595)
- Insulation File No. E182094



• Indicates Like Polarity

Part No.				
115/230V	115V	230V	Series Connection	Parallel Connection
VDE-130T-10	VDE1-130T-10	VDE2-130T-10	10VCT @ 13.0A	5V @ 26.0A
VDE-130T-126	VDE1-130T-126	VDE2-130T-126	12.6VCT @ 10.31A	6.3V @ 20.62A
VDE-130T-16	VDE1-130T-16	VDE2-130T-16	16VCT @ 8.125A	8V @ 16.25A
VDE-130T-18	VDE1-130T-18	VDE2-130T-18	18VCT @ 7.22A	9V @ 14.44A
VDE-130T-20	VDE1-130T-20	VDE2-130T-20	20VCT @ 6.50A	10V @ 13.00A
VDE-130T-24	VDE1-130T-24	VDE2-130T-24	24VCT @ 5.41A	12V @ 10.83A
VDE-130T-28	VDE1-130T-28	VDE2-130T-28	28VCT @ 4.64A	14V @ 9.28A
VDE-130T-36	VDE1-130T-36	VDE2-130T-36	36VCT @ 3.61A	18V @ 7.22A
VDE-130T-230	VDE1-130T-230	VDE2-130T-230	230VCT @ 0.565A	115V @ 1.13 A

	<b>INTERNATIONAL POWER TRANSFORMER</b>	<b>VDE-130T-XXX VDE1-130T-XXX VDE2-130T-XXX</b>	
CONTENTS OF THIS DRAWING ARE SUBJECT TO CHANGE WITHOUT PRIOR NOTICE	<b>Wabash Transformer</b> 101 Industrial Park Drive, Clarence, IA 52216	Dim: Inches	Sheet 1 of 1

PROPRIETARY NOTICE: THIS DRAWING PRINT OR DOCUMENT AND SUBJECT MATTER DISCLOSED HEREIN ARE PROPRIETARY ITEMS TO WHICH WABASH TRANSFORMER RETAINS THE EXCLUSIVE RIGHT OF DISSEMINATION, MANUFACTURE AND SALE. THIS DRAWING, PRINT OR DOCUMENT IS SUBMITTED IN CONFIDENCE FOR CONSIDERATION BY THE RECIPIENT ALONE UNLESS PERMISSION FOR FURTHER DISCLOSURE IS EXPRESSLY GRANTED IN WRITING