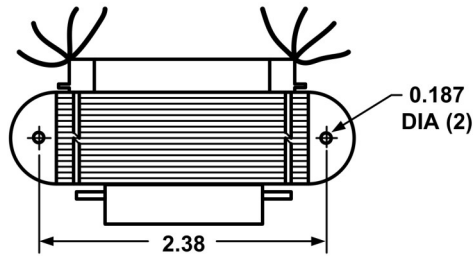
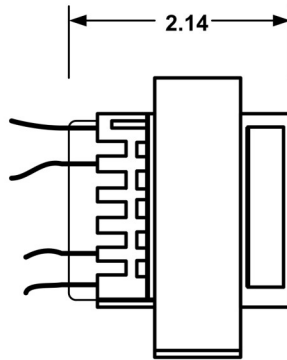
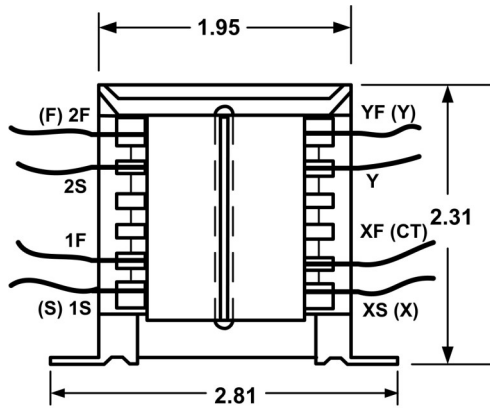


# VDE - LEAD WIRES, INTERNATIONAL POWER TRANSFORMER



## 1. Electrical Specifications

- A. Maximum Power: 25VA
- B. Input Voltage and Frequency: 115/230V, 115V, 230V @ 50/60Hz
- C. Voltage Regulation: \_\_\_% TYP @ Full Load to No Load
- D. Temperature Rise: \_\_\_°CTYP
- E. Insulation Resistance: > \_\_\_ MEG ohm
- F. Hi-Pot: 4000 Vrms 1 minute @ Pri to Sec  
 \_\_\_ Vrms 1 minute @ Pri to Core  
 \_\_\_ Vrms 1 minute @ Sec to Core

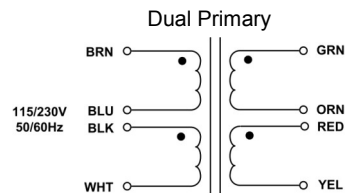
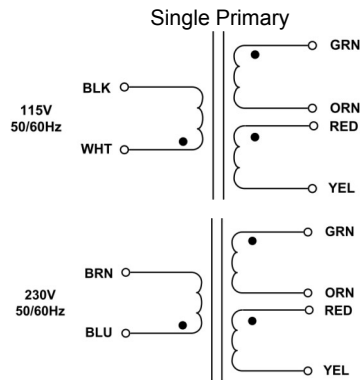
## 2. Marking: Wabash Transformer, part number (see table), date code, terminal numbers

## 3. Safety:

- UL/cUL 5085-2 Recognized (File E182486)
- VDE Licensed (File 40001595)
- UL/cUL 5085-3 Class 2 Recognized (File E49606)
- Insulation File No. E182094



**CLASS 2**



• Indicates Like Polarity

Part No.			Series Connection	Parallel Connection	Class 2
115/230V	115V	230V			
VDE-25L-10	VDE1-25L-10	VDE2-25L-10	10VCT @ 2.50A	5V @ 5.00A	✓
VDE-25L-126	VDE1-25L-126	VDE2-25L-126	12.6VCT @ 1.98A	6.3V @ 3.96A	✓
VDE-25L-16	VDE1-125L-16	VDE2-125L-16	16VCT @ 1.56A	8V @ 3.12A	✓
VDE-25L-18	VDE1-25L-18	VDE2-25L-18	18VCT @ 1.39A	9V @ 2.78A	✓
VDE-25L-20	VDE1-25L-20	VDE2-25L-20	20VCT @ 1.25A	10V @ 2.50A	✓
VDE-25L-24	VDE1-25L-24	VDE2-25L-24	24VCT @ 1.04A	12V @ 2.08A	✓
VDE-25L-28	VDE1-25L-28	VDE2-25L-28	28VCT @ .892A	14V @ 1.78A	-
VDE-25L-36	VDE1-25L-36	VDE2-25L-36	36VCT @ .694A	18V @ 1.38A	-

	<b>INTERNATIONAL POWER TRANSFORMER</b>	<b>VDE-25L-XXX VDE1-25L-XXX VDE2-25L-XXX</b>	
CONTENTS OF THIS DRAWING ARE SUBJECT TO CHANGE WITHOUT PRIOR NOTICE	<b>Wabash Transformer</b> 101 Industrial Park Drive, Clarence, IA 52216	Dim: Inches	Sheet 1 of 1

PROPRIETARY NOTICE: THIS DRAWING PRINT OR DOCUMENT AND SUBJECT MATTER DISCLOSED HEREIN ARE PROPRIETARY ITEMS TO WHICH WABASH TRANSFORMER RETAINS THE EXCLUSIVE RIGHT OF DISSEMINATION, MANUFACTURE AND SALE. THIS DRAWING, PRINT OR DOCUMENT IS SUBMITTED IN CONFIDENCE FOR CONSIDERATION BY THE RECIPIENT ALONE UNLESS PERMISSION FOR FURTHER DISCLOSURE IS EXPRESSLY GRANTED IN WRITING