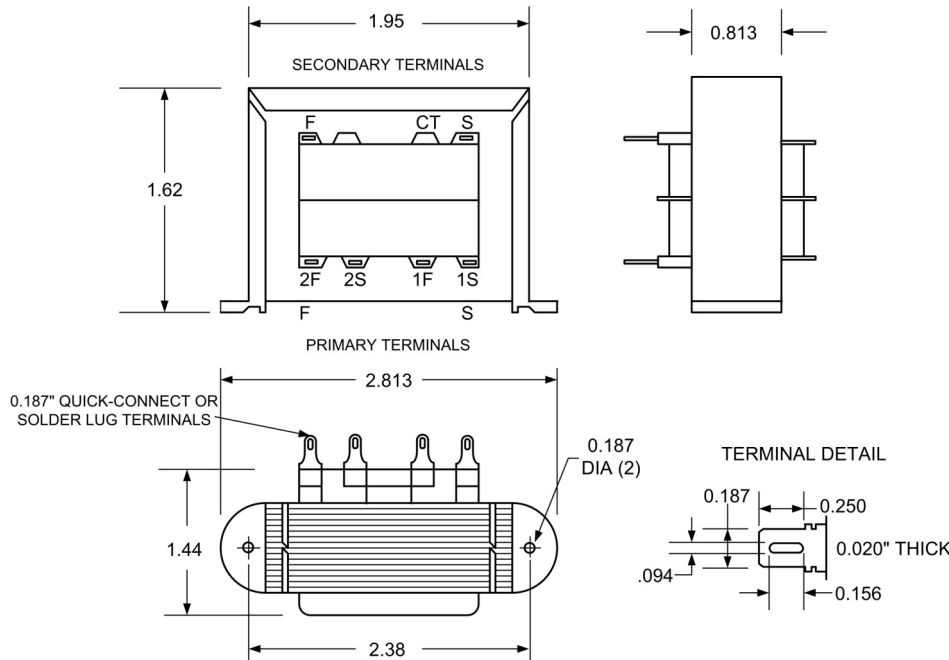


PST & PDT - CHASSIS MOUNT WITH QUICK-CONNECT TERMINALS POWER TRANSFORMER



1. Electrical Specifications

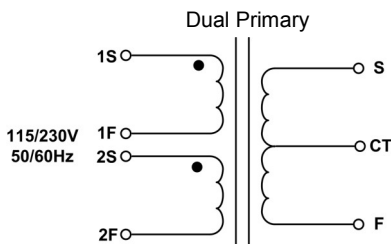
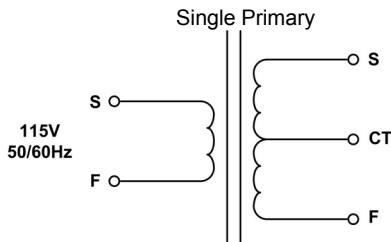
- A. Maximum Power: 12 VA
- B. Input Voltage and Frequency: 115V & 115/230V @ 50/60Hz
- C. Voltage Regulation: __% TYP @ Full Load to No Load
- D. Temperature Rise: __°CTYP
- E. Insulation Resistance: < __ MEG ohm
- F. Hi-Pot: 2500 Vrms 1 minute @ Pri to Sec
 ___ Vrms 1 minute @ Pri to Core
 ___ Vrms 1 minute @ Sec to Core

2. Marking: Wabash Transformer, part number (see table), date code, terminal numbers

3. Safety:

UL/cUL 5085-2 Recognized (File E182486)

Insulation File No. E182094



● Indicates Like Polarity

Part No.		
115V	115/230V	Secondary
PST-12-10	PDT-12-10	10VCT @ 1.2A
PST-12-126	PDT-12-126	12.6VCT @ 0.95A
PST-12-16	PDT-12-16	16VCT @ 0.75A
PST-12-20	PDT-12-20	20VCT @ 0.60A
PST-12-24	PDT-12-24	24VCT @ 0.50A
PST-12-28	PDT-12-28	28VCT @ 0.428A
PST-12-36	PDT-12-36	36VCT @ 0.33A
PST-12-48	PDT-12-48	48VCT @ 0.25A
PST-12-56	PDT-12-56	56VCT @ 0.214A
PST-12-120	PDT-12-120	120VCT @ 0.10A

	POWER TRANSFORMER		PST-12-XXX PDT-12-XXX	
	CONTENTS OF THIS DRAWING ARE SUBJECT TO CHANGE WITHOUT PRIOR NOTICE		Sheet 1 of 1	
Wabash Transformer 101 Industrial Park Drive, Clarence, IA 52216		Dim: Inches		

PROPRIETARY NOTICE: THIS DRAWING PRINT OR DOCUMENT AND SUBJECT MATTER DISCLOSED HEREIN ARE PROPRIETARY ITEMS TO WHICH WABASH TRANSFORMER RETAINS THE EXCLUSIVE RIGHT OF DISSEMINATION, MANUFACTURE AND SALE. THIS DRAWING, PRINT OR DOCUMENT IS SUBMITTED IN CONFIDENCE FOR CONSIDERATION BY THE RECIPIENT ALONE UNLESS PERMISSION FOR FURTHER DISCLOSURE IS EXPRESSLY GRANTED IN WRITING