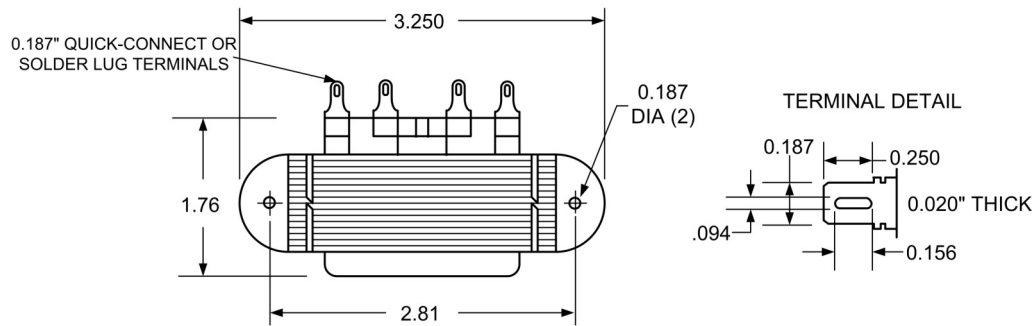
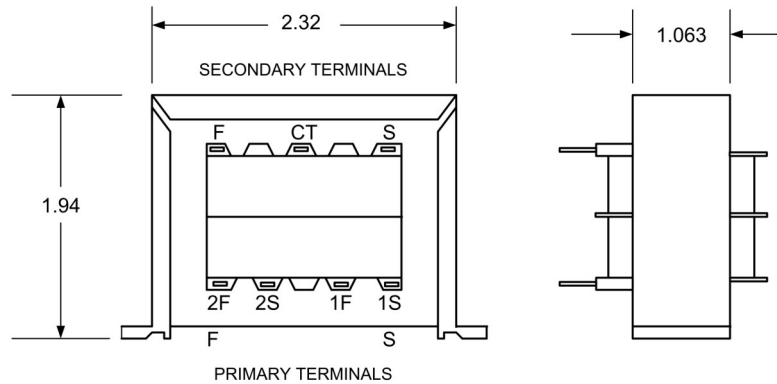


PST & PDT - CHASSIS MOUNT WITH QUICK-CONNECT TERMINALS POWER TRANSFORMER



1. Electrical Specifications

- A. Maximum Power: 30 VA
- B. Input Voltage and Frequency: 115V & 115/230V @ 50/60Hz
- C. Voltage Regulation: ___% TYP @ Full Load to No Load
- D. Temperature Rise: ___°CTYP
- E. Insulation Resistance: < ___ MEG ohm
- F. Hi-Pot: 2500 Vrms 1 minute @ Pri to Sec
 ___ Vrms 1 minute @ Pri to Core
 ___ Vrms 1 minute @ Sec to Core

2. Marking: Wabash Transformer, part number (see table), date code, terminal numbers

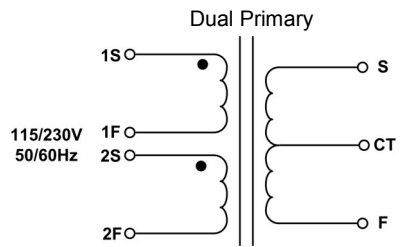
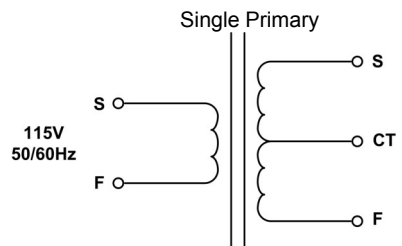
3. Safety:

UL/cUL 5085-2 Recognized (File E182486)

Insulation File No. E182094



Part No.		
115V	115/230V	Secondary
PST-30-10	PDT-30-10	10VCT @ 3.0A
PST-30-12	PDT-30-12	12VCT @ 2.50A
PST-30-16	PDT-30-16	16VCT @ 1.875A
PST-30-20	PDT-30-20	20VCT @ 1.50A
PST-30-24	PDT-30-24	24VCT @ 1.25A
PST-30-28	PDT-30-28	28VCT @ 1.071A
PST-30-36	PDT-30-36	36VCT @ 0.833A
PST-30-48	PDT-30-48	48VCT @ 0.625A
PST-30-56	PDT-30-56	56VCT @ 0.536A
PST-30-120	PDT-30-120	120VCT @ 0.250A



● Indicates Like Polarity

	POWER TRANSFORMER	PST-30-XXX PDT-30-XXX	
	Wabash Transformer 101 Industrial Park Drive, Clarence, IA 52216	Dim: Inches	Sheet 1 of 1

PROPRIETARY NOTICE: THIS DRAWING PRINT OR DOCUMENT AND SUBJECT MATTER DISCLOSED HEREIN ARE PROPRIETARY ITEMS TO WHICH WABASH TRANSFORMER RETAINS THE EXCLUSIVE RIGHT OF DISSEMINATION, MANUFACTURE AND SALE. THIS DRAWING, PRINT OR DOCUMENT IS SUBMITTED IN CONFIDENCE FOR CONSIDERATION BY THE RECIPIENT ALONE UNLESS PERMISSION FOR FURTHER DISCLOSURE IS EXPRESSLY GRANTED IN WRITING