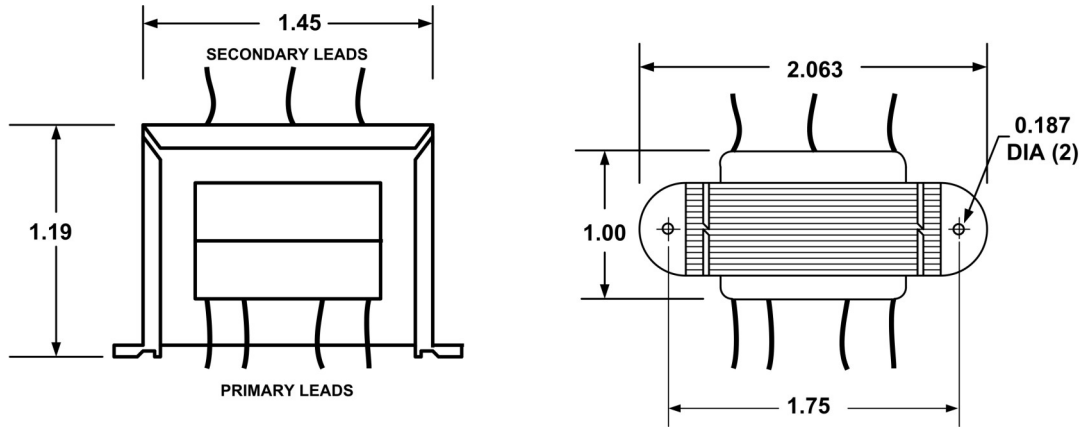


PSL & PDL - CHASSIS MOUNT WITH LEAD WIRES, POWER TRANSFORMER



1. Electrical Specifications

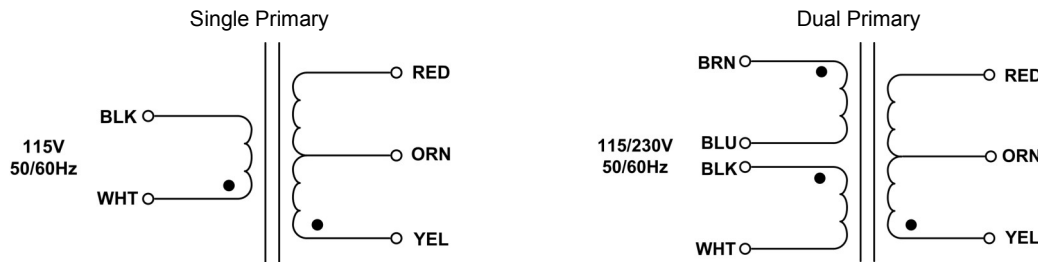
- A. Maximum Power: 1.2 VA
- B. Input Voltage and Frequency: 115V & 115/230V @ 50/60Hz
- C. Voltage Regulation: __% TYP @ Full Load to No Load
- D. Temperature Rise: __°CTYP
- E. Insulation Resistance: < __ MEG ohm
- F. Hi-Pot: 2500 Vrms 1 minute @ Pri to Sec
 ___ Vrms 1 minute @ Pri to Core
 ___ Vrms 1 minute @ Sec to Core

2. Marking: Wabash Transformer, part number (see table), date code, terminal numbers

3. Safety:

UL/cUL 5085-2 Recognized (File E182486)

Insulation File No. E182094



• Indicates Like Polarity

Part No.		
115V	115/230V	Secondary
PSL-012-10	PDL-012-10	10VCT @ 0.12A
PSL-012-126	PDL-012-126	12.6VCT @ 0.095A
PSL-012-16	PDL-012-16	16VCT @ 0.075A
PSL-012-20	PDL-012-20	20VCT @ 0.060A
PSL-012-24	PDL-012-24	24VCT @ 0.050A
PSL-012-28	PDL-012-28	28VCT @ 0.043A
PSL-012-36	PDL-012-36	36VCT @ 0.014A
PSL-012-48	PDL-012-48	48VCT @ 0.025A
PSL-012-56	PDL-012-56	56VCT @ 0.021A
PSL-012-120	PDL-012-120	120VCT @ 0.010A

	POWER TRANSFORMER	PSL-012-XXX PDL-012-XXX	
CONTENTS OF THIS DRAWING ARE SUBJECT TO CHANGE WITHOUT PRIOR NOTICE	Wabash Transformer 101 Industrial Park Drive, Clarence, IA 52216	Dim: Inches	Sheet 1 of 1

PROPRIETARY NOTICE: THIS DRAWING PRINT OR DOCUMENT AND SUBJECT MATTER DISCLOSED HEREIN ARE PROPRIETARY ITEMS TO WHICH WABASH TRANSFORMER RETAINS THE EXCLUSIVE RIGHT OF DISSEMINATION, MANUFACTURE AND SALE. THIS DRAWING, PRINT OR DOCUMENT IS SUBMITTED IN CONFIDENCE FOR CONSIDERATION BY THE RECIPIENT ALONE UNLESS PERMISSION FOR FURTHER DISCLOSURE IS EXPRESSLY GRANTED IN WRITING