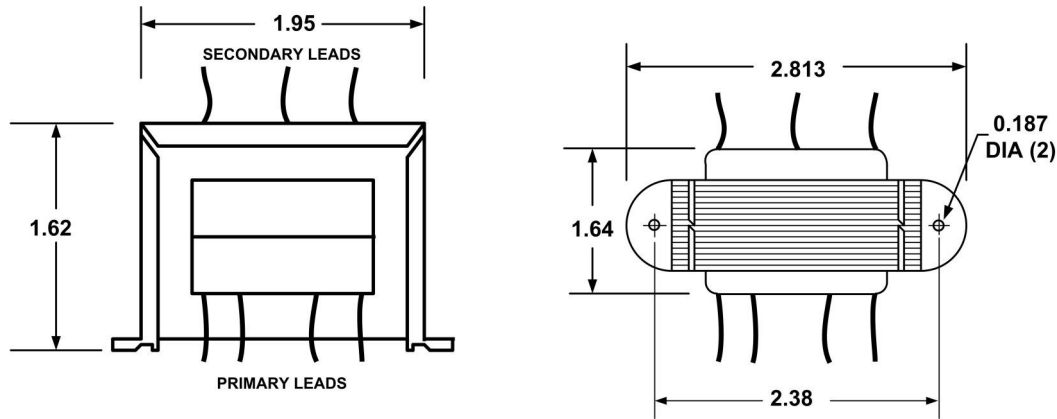
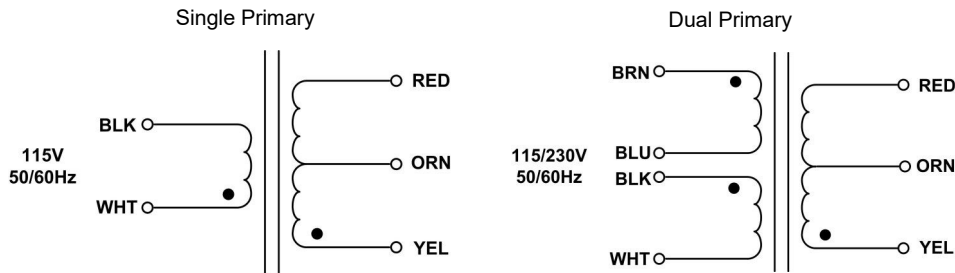


# PSL & PDL - CHASSIS MOUNT WITH LEAD WIRES, POWER TRANSFORMER



1. Electrical Specifications
  - A. Maximum Power: 15 VA
  - B. Input Voltage and Frequency: 115V & 115/230V @ 50/60Hz
  - C. Hi-Pot: 2500 Vrms 1 minute
2. Marking: Wabash Transformer, part number (see table), date code, terminal numbers
3. Agency Approval:
  - UL/cUL 5085-2 Recognized (File E47299)
  - Insulation File No. E95662



● Indicates Like Polarity

Part No.		
115V	115/230V	Secondary
PSL-15-10	PDL-15-10	10VCT @ 1.5A
PSL-15-126	PDL-15-126	12.6VCT @ 1.19A
PSL-15-16	PDL-15-16	16VCT @ 0.94A
PSL-15-20	PDL-15-20	20VCT @ 0.750A
PSL-15-24	PDL-15-24	24VCT @ 0.625A
PSL-15-28	PDL-15-28	28VCT @ 0.536A
PSL-15-36	PDL-15-36	36VCT @ 0.417A
PSL-15-48	PDL-15-48	48VCT @ 0.312A
PSL-15-56	PDL-15-56	56VCT @ 0.268A
PSL-15-120	PDL-15-120	120VCT @ 0.125A

	<b>POWER TRANSFORMER</b>	<b>PSL-15-XXX PDL-15-XXX</b>	
CONTENTS OF THIS DRAWING ARE SUBJECT TO CHANGE WITHOUT PRIOR NOTICE	<b>Wabash Transformer</b> 101 Industrial Park Drive, Clarence, IA 52216	Dim: Inches	Sheet 1 of 1

PROPRIETARY NOTICE: THIS DRAWING PRINT OR DOCUMENT AND SUBJECT MATTER DISCLOSED HEREIN ARE PROPRIETARY ITEMS TO WHICH WABASH TRANSFORMER RETAINS THE EXCLUSIVE RIGHT OF DISSEMINATION, MANUFACTURE AND SALE. THIS DRAWING, PRINT OR DOCUMENT IS SUBMITTED IN CONFIDENCE FOR CONSIDERATION BY THE RECIPIENT ALONE UNLESS PERMISSION FOR FURTHER DISCLOSURE IS EXPRESSLY GRANTED IN WRITING