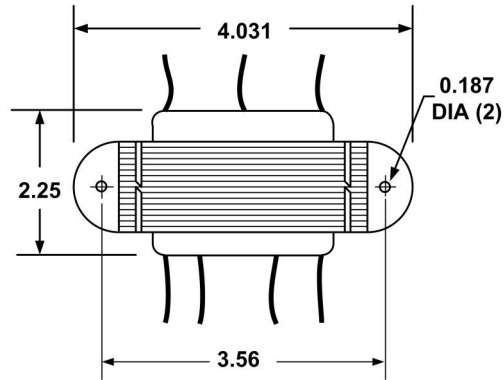
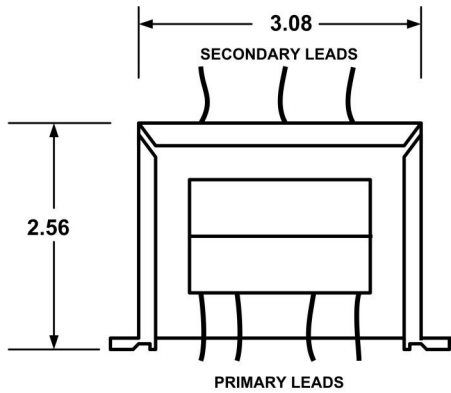
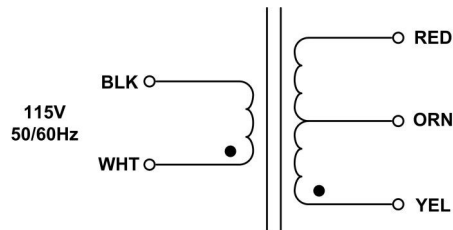


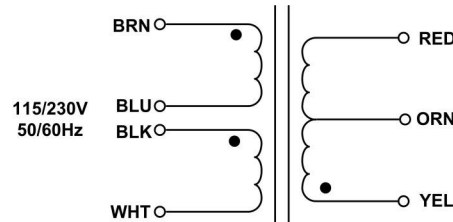
# PSL & PDL - CHASSIS MOUNT WITH LEAD WIRES, POWER TRANSFORMER



Single Primary



Dual Primary



● Indicates Like Polarity

1. Electrical Specifications
  - A. Maximum Power: 75 VA
  - B. Input Voltage and Frequency: 115V & 115/230V @ 50/60Hz
  - C. Hi-Pot: 2500 Vrms 1 minute
2. Marking: Wabash Transformer, part number (see table), date code, terminal numbers
3. Agency Approval:
  - UL/cUL 5085-2 Recognized (File E47299)
  - Insulation File No. E95662



Part No.		
115V	115/230V	Secondary
PSL-75-10	PDL-75-10	10VCT @ 7.50A
PSL-75-12	PDL-75-12	12VCT @ 6.25A
PSL-75-16	PDL-75-16	16VCT @ 4.69A
PSL-75-20	PDL-75-20	20VCT @ 3.75A
PSL-75-24	PDL-75-24	24VCT @ 3.125A
PSL-75-28	PDL-75-28	28VCT @ 2.68A
PSL-75-36	PDL-75-36	36VCT @ 2.08A
PSL-75-48	PDL-75-48	48VCT @ 1.56A
PSL-75-56	PDL-75-56	56VCT @ 1.34A
PSL-75-120	PDL-75-120	120VCT @ 0.47A



POWER TRANSFORMER

PSL-75-XXX  
PDL-75-XXX

CONTENTS OF THIS DRAWING ARE SUBJECT TO CHANGE WITHOUT PRIOR NOTICE

**Wabash Transformer**  
101 Industrial Park Drive, Clarence, IA 52216

Dim: Inches

Sheet 1 of 1

PROPRIETARY NOTICE: THIS DRAWING PRINT OR DOCUMENT AND SUBJECT MATTER DISCLOSED HEREIN ARE PROPRIETARY ITEMS TO WHICH WABASH TRANSFORMER RETAINS THE EXCLUSIVE RIGHT OF DISSEMINATION, MANUFACTURE AND SALE. THIS DRAWING, PRINT OR DOCUMENT IS SUBMITTED IN CONFIDENCE FOR CONSIDERATION BY THE RECIPIENT ALONE UNLESS PERMISSION FOR FURTHER DISCLOSURE IS EXPRESSLY GRANTED IN WRITING