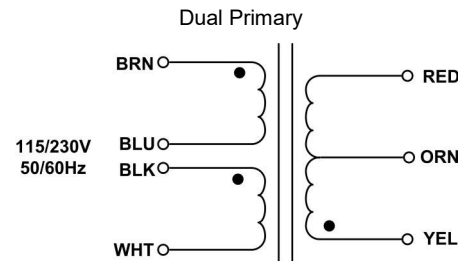
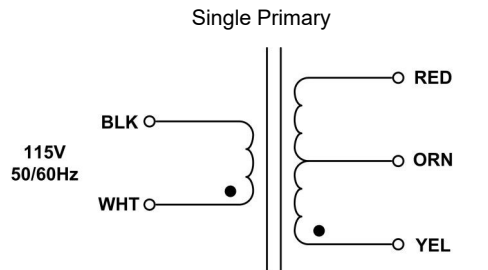
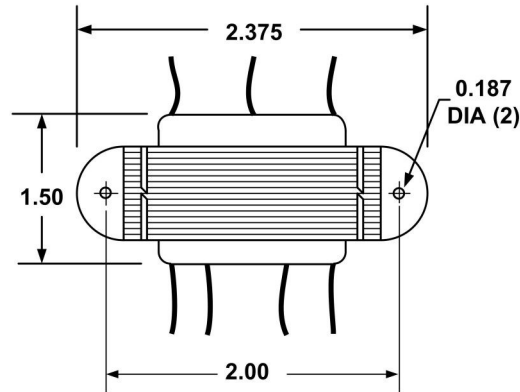
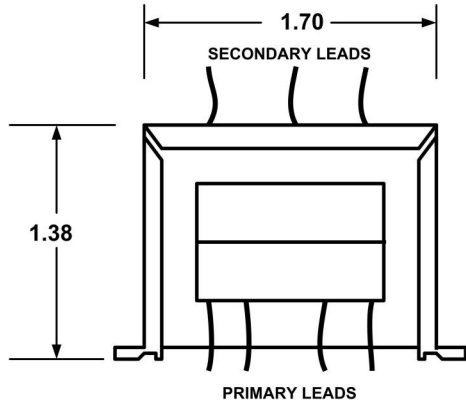


# PSL & PDL - CHASSIS MOUNT WITH LEAD WIRES, POWER TRANSFORMER



● Indicates Like Polarity

1. Electrical Specifications
  - A. Maximum Power: 5 VA
  - B. Input Voltage and Frequency: 115V & 115/230V @ 50/60Hz
  - C. Hi-Pot: 2500 Vrms 1 minute
2. Marking: Wabash Transformer, part number (see table), date code, terminal numbers
3. Agency Approval:
  - UL/cUL 5085-2 Recognized (File E47299)
  - Insulation File No. E95662



Part No.		
115V	115/230V	Secondary
PSL-05-10	PDL-05-10	10VCT @ 0.500A
PSL-05-126	PDL-05-126	12.6VCT @ 0.397A
PSL-05-16	PDL-05-16	16VCT @ 0.312A
PSL-05-20	PDL-05-20	20VCT @ 0.250A
PSL-05-24	PDL-05-24	24VCT @ 0.208A
PSL-05-28	PDL-05-28	28VCT @ 0.178A
PSL-05-36	PDL-05-36	36VCT @ 0.138A
PSL-05-48	PDL-05-48	48VCT @ 0.104A
PSL-05-56	PDL-05-56	56VCT @ 0.089A
PSL-05-120	PDL-05-120	120VCT @ 0.042A



POWER TRANSFORMER

PSL-05-XXX  
PDL-05-XXX

CONTENTS OF THIS DRAWING ARE SUBJECT TO CHANGE WITHOUT PRIOR NOTICE

**Wabash Transformer**  
101 Industrial Park Drive, Clarence, IA 52216

Dim: Inches

Sheet 1 of 1

PROPRIETARY NOTICE: THIS DRAWING PRINT OR DOCUMENT AND SUBJECT MATTER DISCLOSED HEREIN ARE PROPRIETARY ITEMS TO WHICH WABASH TRANSFORMER RETAINS THE EXCLUSIVE RIGHT OF DISSEMINATION, MANUFACTURE AND SALE. THIS DRAWING, PRINT OR DOCUMENT IS SUBMITTED IN CONFIDENCE FOR CONSIDERATION BY THE RECIPIENT ALONE UNLESS PERMISSION FOR FURTHER DISCLOSURE IS EXPRESSLY GRANTED IN WRITING