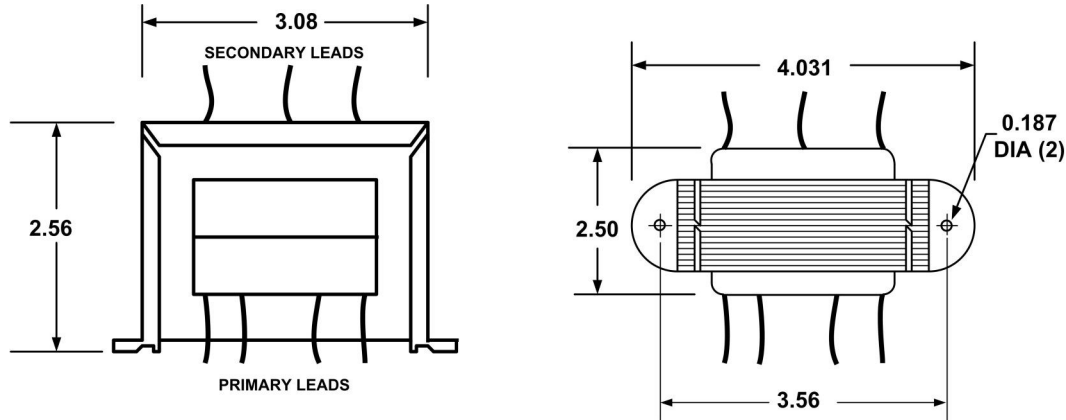
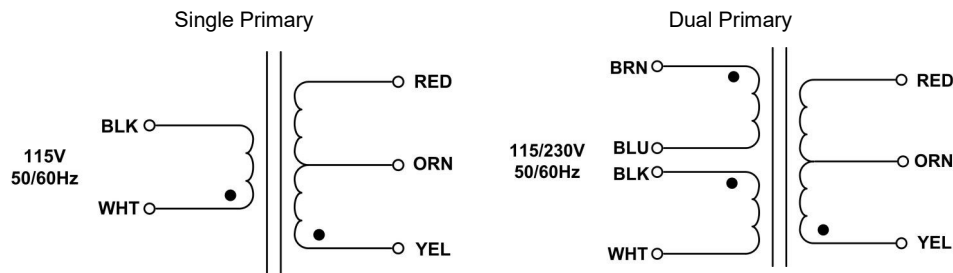


PSL & PDL - CHASSIS MOUNT WITH LEAD WIRES, POWER TRANSFORMER



1. Electrical Specifications
 - A. Maximum Power: 100 VA
 - B. Input Voltage and Frequency: 115V & 115/230V @ 50/60Hz
 - C. Hi-Pot: 2500 Vrms 1 minute
2. Marking: Wabash Transformer, part number (see table), date code, terminal numbers
3. Agency Approval:
 - UL/cUL 5085-2 Recognized (File E47299)
 - Insulation File No. E95662



● Indicates Like Polarity

Part No.		
115V	115/230V	Secondary
PSL-100-10	PDL-100-10	10VCT @ 10A
PSL-100-12	PDL-100-12	12VCT @ 8.33A
PSL-100-16	PDL-100-16	16VCT @ 6.25A
PSL-100-20	PDL-100-20	20VCT @ 5.0A
PSL-100-24	PDL-100-24	24VCT @ 4.17A
PSL-100-28	PDL-100-28	28VCT @ 3.57A
PSL-100-36	PDL-100-36	36VCT @ 2.78A
PSL-100-48	PDL-100-48	48VCT @ 2.08A
PSL-100-56	PDL-100-56	56VCT @ 1.79A
PSL-100-120	PDL-100-120	120VCT @ 0.833A

	POWER TRANSFORMER	PSL-100-XXX PDL-100-XXX	
CONTENTS OF THIS DRAWING ARE SUBJECT TO CHANGE WITHOUT PRIOR NOTICE	Wabash Transformer 101 Industrial Park Drive, Clarence, IA 52216	Dim: Inches	Sheet 1 of 1
<small>PROPRIETARY NOTICE: THIS DRAWING PRINT OR DOCUMENT AND SUBJECT MATTER DISCLOSED HEREIN ARE PROPRIETARY ITEMS TO WHICH WABASH TRANSFORMER RETAINS THE EXCLUSIVE RIGHT OF DISSEMINATION, MANUFACTURE AND SALE. THIS DRAWING, PRINT OR DOCUMENT IS SUBMITTED IN CONFIDENCE FOR CONSIDERATION BY THE RECIPIENT ALONE UNLESS PERMISSION FOR FURTHER DISCLOSURE IS EXPRESSLY GRANTED IN WRITING</small>			